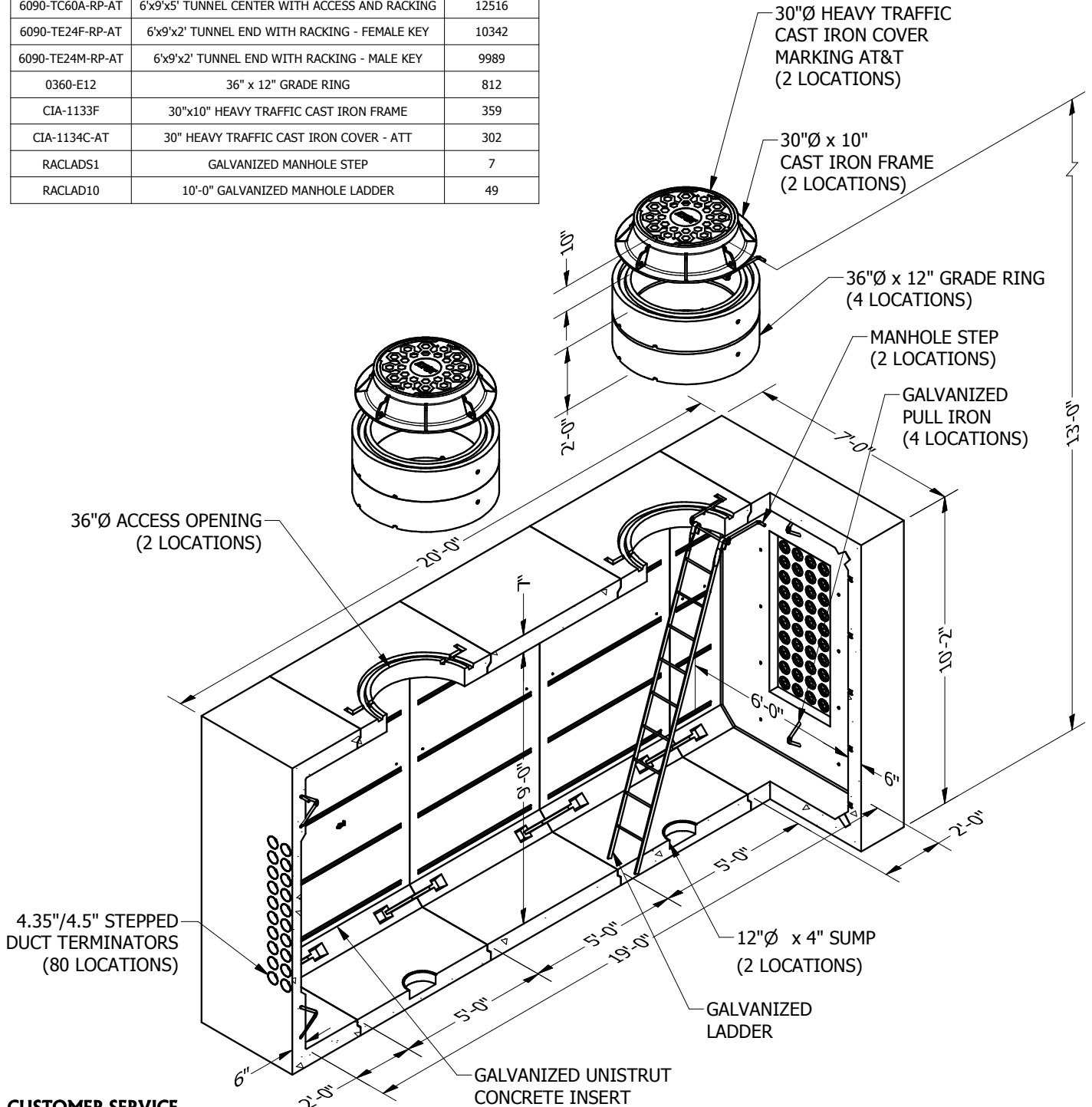


# MATERIAL LIST

AT&T PID: 000600189

PART NUM	DESCRIPTION	WEIGHT (LBS)
6090-TC60-RP-AT	6'x9'x5' TUNNEL CENTER WITH RACKING	13223
6090-TC60A-RP-AT	6'x9'x5' TUNNEL CENTER WITH ACCESS AND RACKING	12516
6090-TE24F-RP-AT	6'x9'x2' TUNNEL END WITH RACKING - FEMALE KEY	10342
6090-TE24M-RP-AT	6'x9'x2' TUNNEL END WITH RACKING - MALE KEY	9989
0360-E12	36" x 12" GRADE RING	812
CIA-1133F	30"x10" HEAVY TRAFFIC CAST IRON FRAME	359
CIA-1134C-AT	30" HEAVY TRAFFIC CAST IRON COVER - ATT	302
RACLADS1	GALVANIZED MANHOLE STEP	7
RACLAD10	10'-0" GALVANIZED MANHOLE LADDER	49



**CUSTOMER SERVICE**  
 Order and delivery assistance  
 (916) 386-6174  
 pcservice@teichert.com

**ENGINEERING/TECHNICAL SERVICE**  
 Technical assistance and on site support  
 (916) 386-6177  
 pceengineering@teichert.com

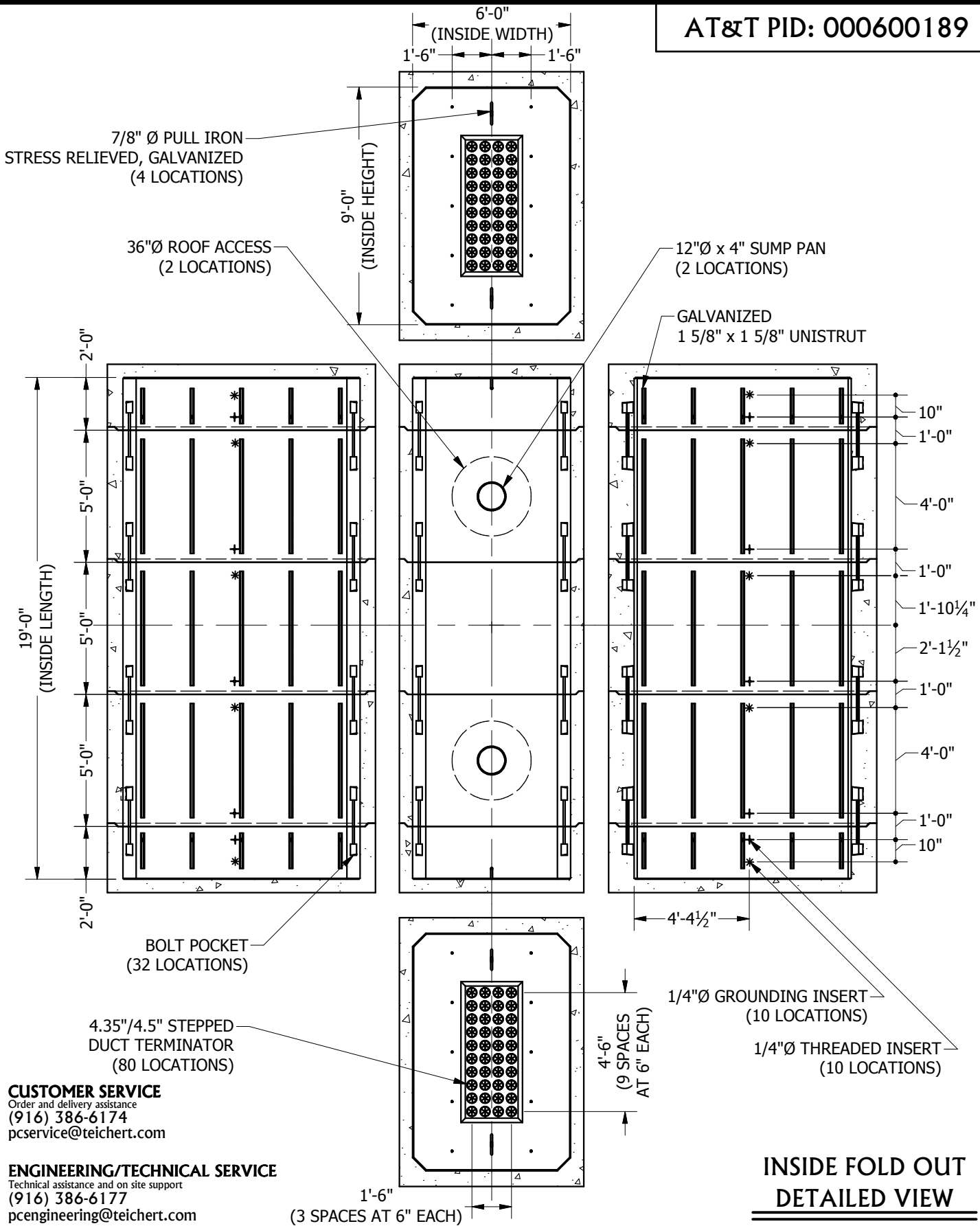
RACKING NOT SHOWN FOR CLARITY.  
 PLEASE REFER TO INDIVIDUAL  
 COMPONENT DRAWINGS.

**TEICHERT PRECAST PRODUCTS**  
 SACRAMENTO · STOCKTON  
[WWW.TEICHERTPRECASTPRODUCTS.COM](http://WWW.TEICHERTPRECASTPRODUCTS.COM)  
 8180 SIGNAL COURT SACRAMENTO, CA 95824 2441 W. CHARTER WAY STOCKTON, CA 95206  
 PHONE: (916) 386-6174 FAX: (916) 386-8823 PHONE: (209) 464-7696 FAX: (209) 464-6822

6'-0" x 9'-0" x 19'-0"  
 AT&T MODULAR MANHOLE  
 TRAFFIC RATED TUNNEL

ISSUE DATE: **1/5/2009**  
 AGENCY SERIES: **PTS-69**  
 PART #: **ASY-6090-T19-HT-AT**

AT&T PID: 000600189



**CUSTOMER SERVICE**  
Order and delivery assistance  
(916) 386-6174  
pcservice@teichert.com

**ENGINEERING/TECHNICAL SERVICE**  
Technical assistance and on site support  
(916) 386-6177  
pcengineering@teichert.com

**TEICHERT PRECAST PRODUCTS**  
SACRAMENTO · STOCKTON  
WWW.TEICHERTPRECASTPRODUCTS.COM

8180 SIGNAL COURT SACRAMENTO, CA 95824 2441 W. CHARTER WAY STOCKTON, CA 95206  
PHONE: (916) 386-6174 FAX: (916) 386-8823 PHONE: (209) 464-7696 FAX: (209) 464-6822

6'-0" x 9'-0" x 19'-0"  
AT&T MODULAR MANHOLE  
TRAFFIC RATED TUNNEL

ISSUE DATE:

1/5/2009

AGENCY SERIES:

PTS-69

PART #:

ASY-6090-T19-HT-AT