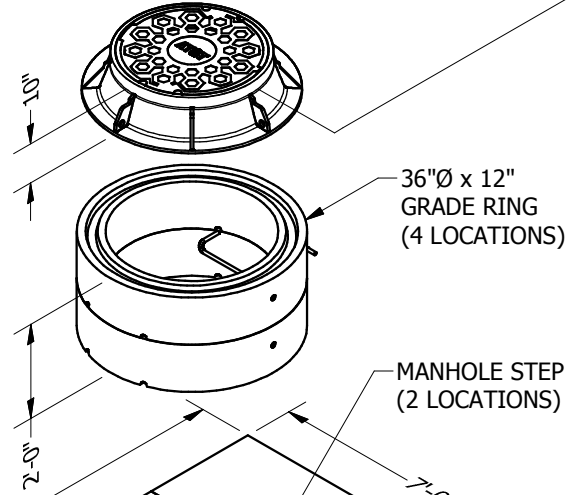


AT&T PID: 000600205

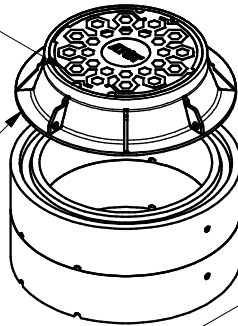
**MATERIAL LIST**

PART NUM	DESCRIPTION	WEIGHT (LBS)
6090-INTC60-RP-AT	6'x9'x5' INTERCEPT CENTER WITH RACKING	11474
6090-INTC60A-RP-AT	6'x9'x5' INTERCEPT CENTER WITH ACCESS AND RACKING	10822
6090-INTE24F-RP-AT	6'x9'x2' INTERCEPT END WITH RACKING - FEMALE KEY	7064
6090-INTE24M-RP-AT	6'x9'x2' INTERCEPT END WITH RACKING - MALE KEY	6759
0360-E12	36" x 12" GRADE RING	812
RACLADS1	GALVANIZED MANHOLE STEP	7
RACLAD10	10'-0" GALVANIZED MANHOLE LADDER	49
CIA-1133F	30"x10" HEAVY TRAFFIC CAST IRON FRAME	359
CIA-1134C-AT	30" HEAVY TRAFFIC CAST IRON COVER - AT	302



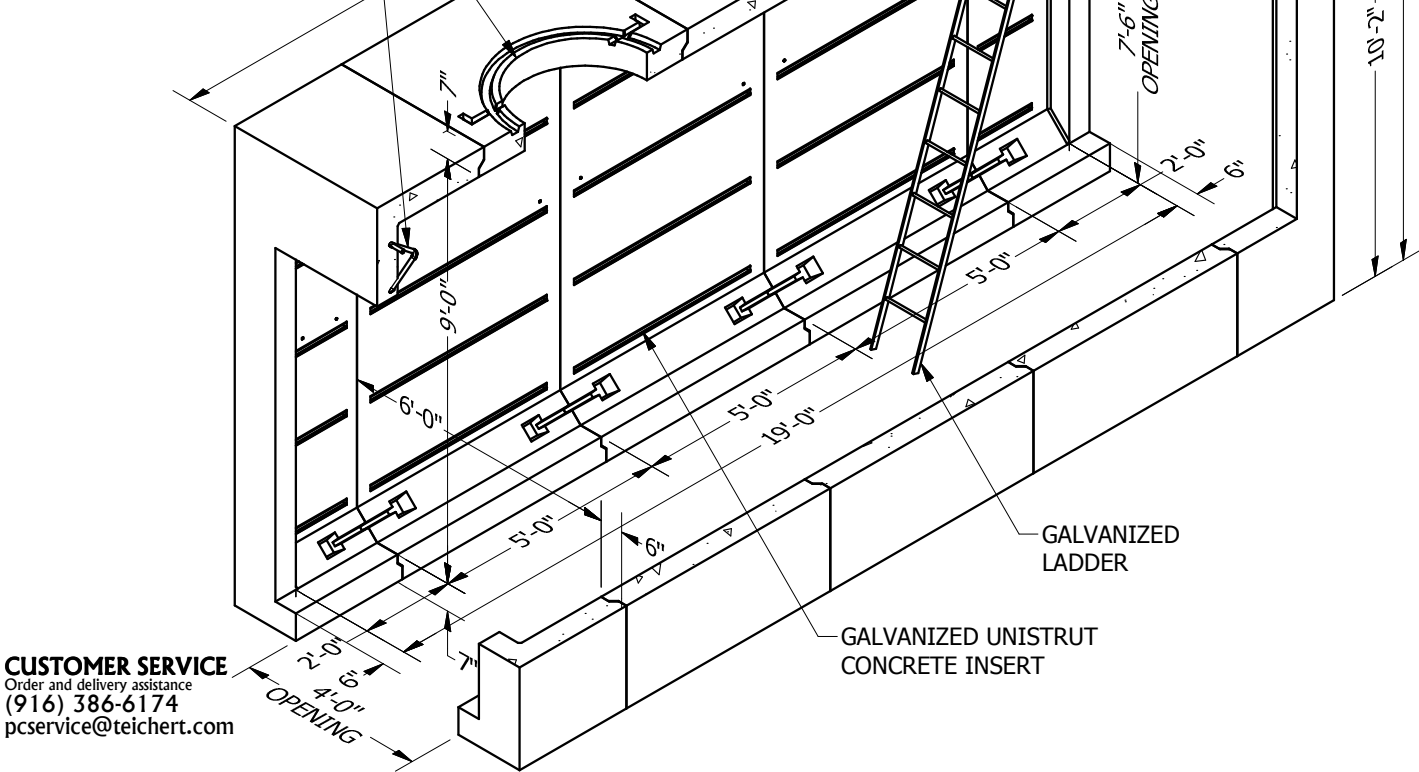
30"Ø HEAVY TRAFFIC CAST IRON COVER MARKING "AT&T" (2 LOCATIONS)

30"Ø x 10" CAST IRON FRAME (2 LOCATIONS)



ACCESS OPENING

7/8"Ø PULL IRON STRESS RELIEVED, GALVANIZED (2 LOCATIONS)



GALVANIZED LADDER

GALVANIZED UNISTRUT CONCRETE INSERT

**CUSTOMER SERVICE**  
Order and delivery assistance  
(916) 386-6174  
pcservice@teichert.com

**ENGINEERING/TECHNICAL SERVICE**  
Technical assistance and on site support  
(916) 386-6177  
pcengineering@teichert.com

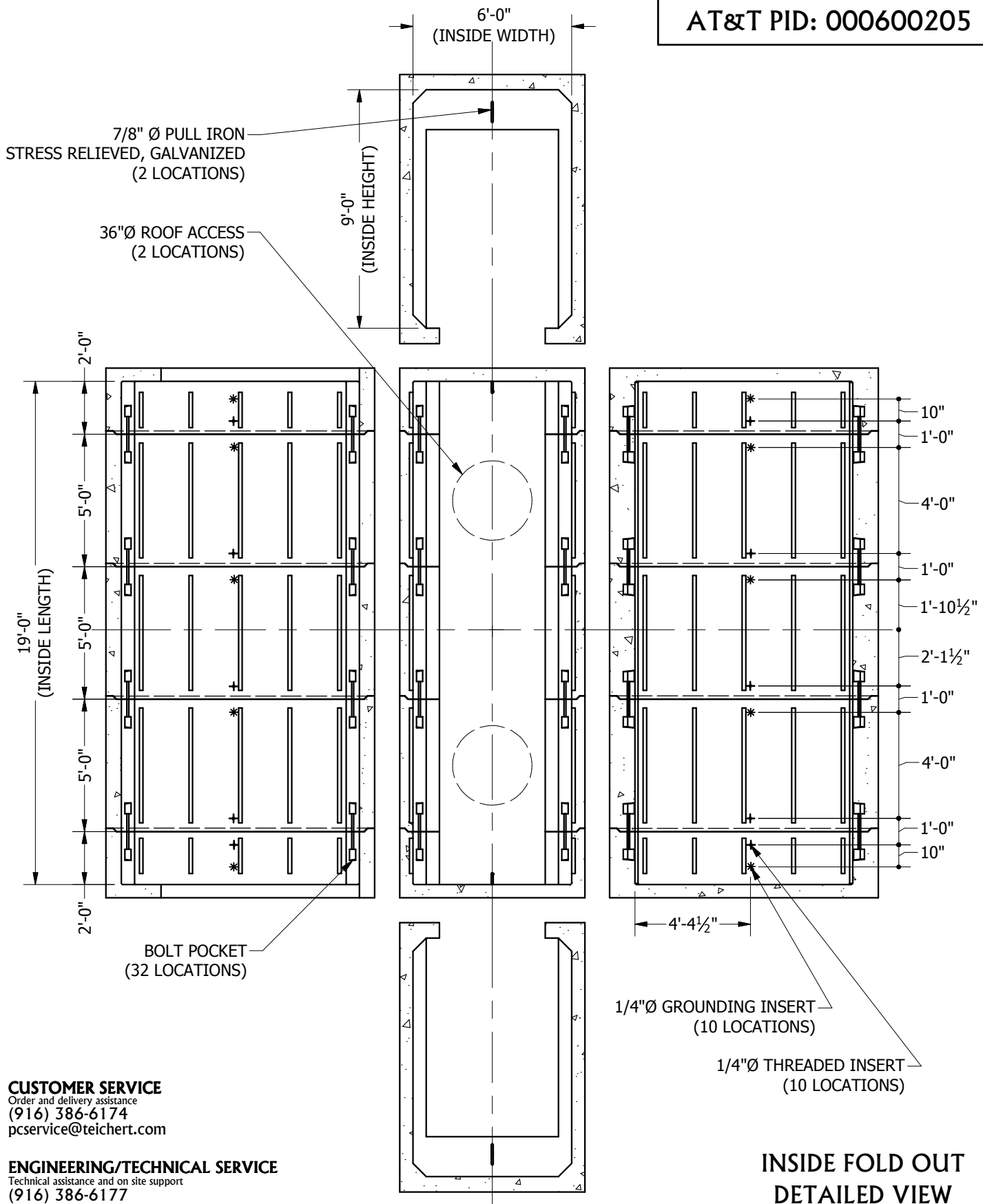
RACKING AND CLOSURE POUR REINFORCING NOT SHOWN FOR CLARITY. PLEASE REFER TO INDIVIDUAL COMPONENT DRAWINGS.

**TEICHERT PRECAST PRODUCTS**  
SACRAMENTO · STOCKTON  
[WWW.TEICHERTPRECASTPRODUCTS.COM](http://WWW.TEICHERTPRECASTPRODUCTS.COM)  
8180 SIGNAL COURT SACRAMENTO, CA 95824 2441 W. CHARTER WAY STOCKTON, CA 95206  
PHONE: (916) 386-6174 FAX: (916) 386-8823 PHONE: (209) 464-7696 FAX: (209) 464-6822

6'-0" x 9'-0" x 19'-0" INTERCEPT AT&T MODULAR MANHOLE TRAFFIC RATED TUNNEL

ISSUE DATE: 1/5/2009  
AGENCY SERIES: PTS-69  
PART #: ASY-6090-INT19-HT-AT

AT&T PID: 000600205



**CUSTOMER SERVICE**  
 Order and delivery assistance  
 (916) 386-6174  
 pcservice@teichert.com

**ENGINEERING/TECHNICAL SERVICE**  
 Technical assistance and on site support  
 (916) 386-6177  
 pcengineering@teichert.com



**TEICHERT PRECAST PRODUCTS**  
 SACRAMENTO · STOCKTON  
 WWW.TEICHERTPRECASTPRODUCTS.COM

8180 SIGNAL COURT SACRAMENTO, CA 95824 2441 W. CHARTER WAY STOCKTON, CA 95206  
 PHONE: (916) 386-6174 FAX: (916) 386-8823 PHONE: (209) 464-7696 FAX: (209) 464-6822

6'-0" x 9'-0" x 19'-0" INTERCEPT  
 AT&T MODULAR MANHOLE  
 TRAFFIC RATED TUNNEL

ISSUE DATE: 1/5/2009  
 AGENCY SERIES: PTS-69  
 PART #: ASY-6090-INT19-HT-AT