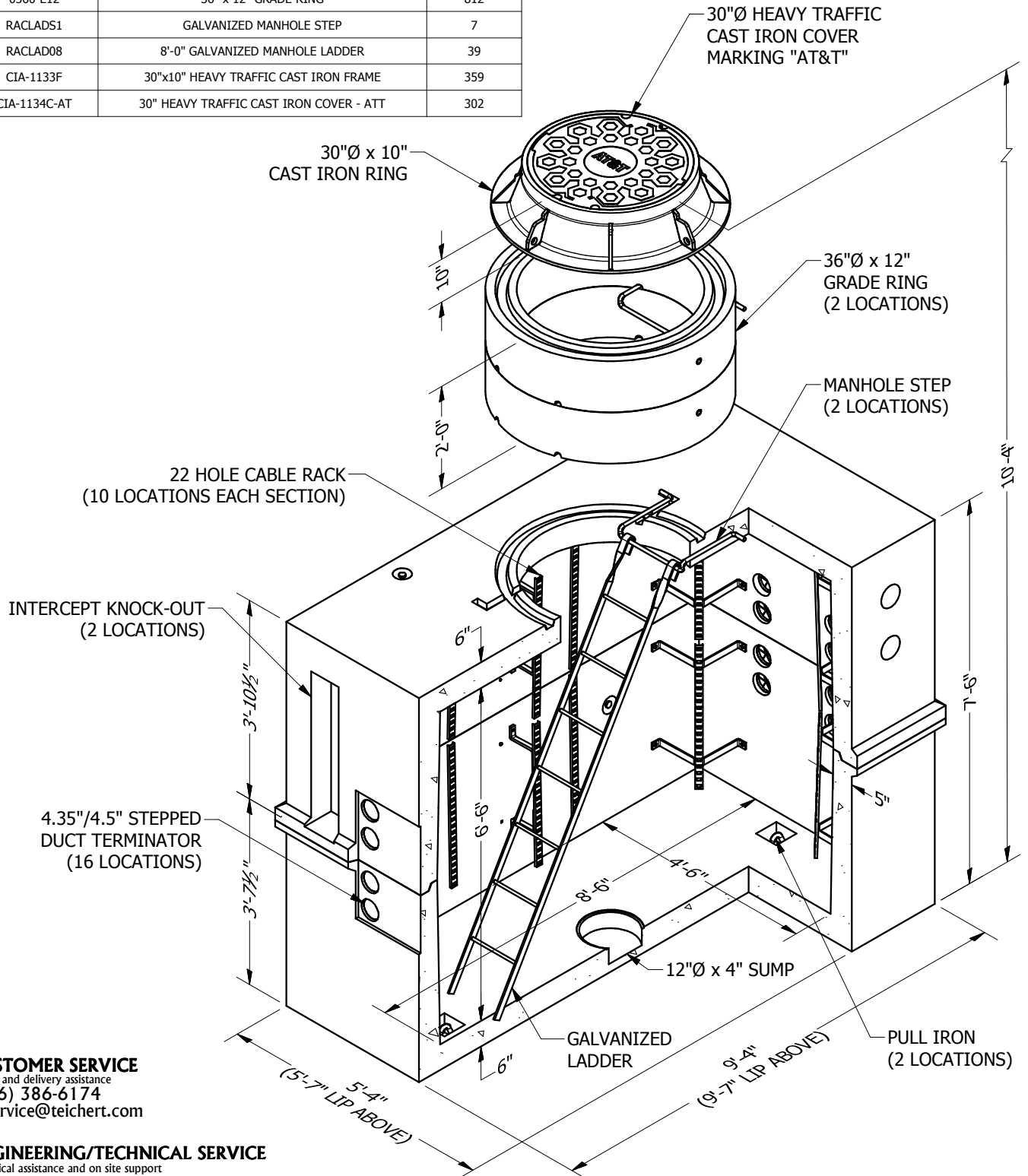


AT&T PID: 000600098

MATERIAL LIST

PART NUM	DESCRIPTION	WEIGHT (LBS)
0510-B39-RP-AT	4'-6" x 8'-6" x 39" BASE SECTION RACKED AND PAINTED	9606
0510-R39-RP-AT	4'-6" x 8'-6" x 39" ROOF SECTION RACKED AND PAINTED	9139
0360-E12	36" x 12" GRADE RING	812
RACLADS1	GALVANIZED MANHOLE STEP	7
RACLAD08	8'-0" GALVANIZED MANHOLE LADDER	39
CIA-1133F	30"x10" HEAVY TRAFFIC CAST IRON FRAME	359
CIA-1134C-AT	30" HEAVY TRAFFIC CAST IRON COVER - ATT	302



CUSTOMER SERVICE
 Order and delivery assistance
 (916) 386-6174
 pcservice@teichert.com

ENGINEERING/TECHNICAL SERVICE
 Technical assistance and on site support
 (916) 386-6177
 pceengineering@teichert.com



TEICHERT PRECAST PRODUCTS
 SACRAMENTO · STOCKTON
 WWW.TEICHERTPRECASTPRODUCTS.COM

8180 SIGNAL COURT SACRAMENTO, CA 95824 2441 W. CHARTER WAY STOCKTON, CA 95206
 PHONE: (916) 386-6174 FAX: (916) 386-8823 PHONE: (209) 464-7696 FAX: (209) 464-6822

4'-6" x 8'-6" x 6'-6"
 AT&T MANHOLE
 CENTER DUCT
 TRAFFIC RATED

ISSUE DATE:

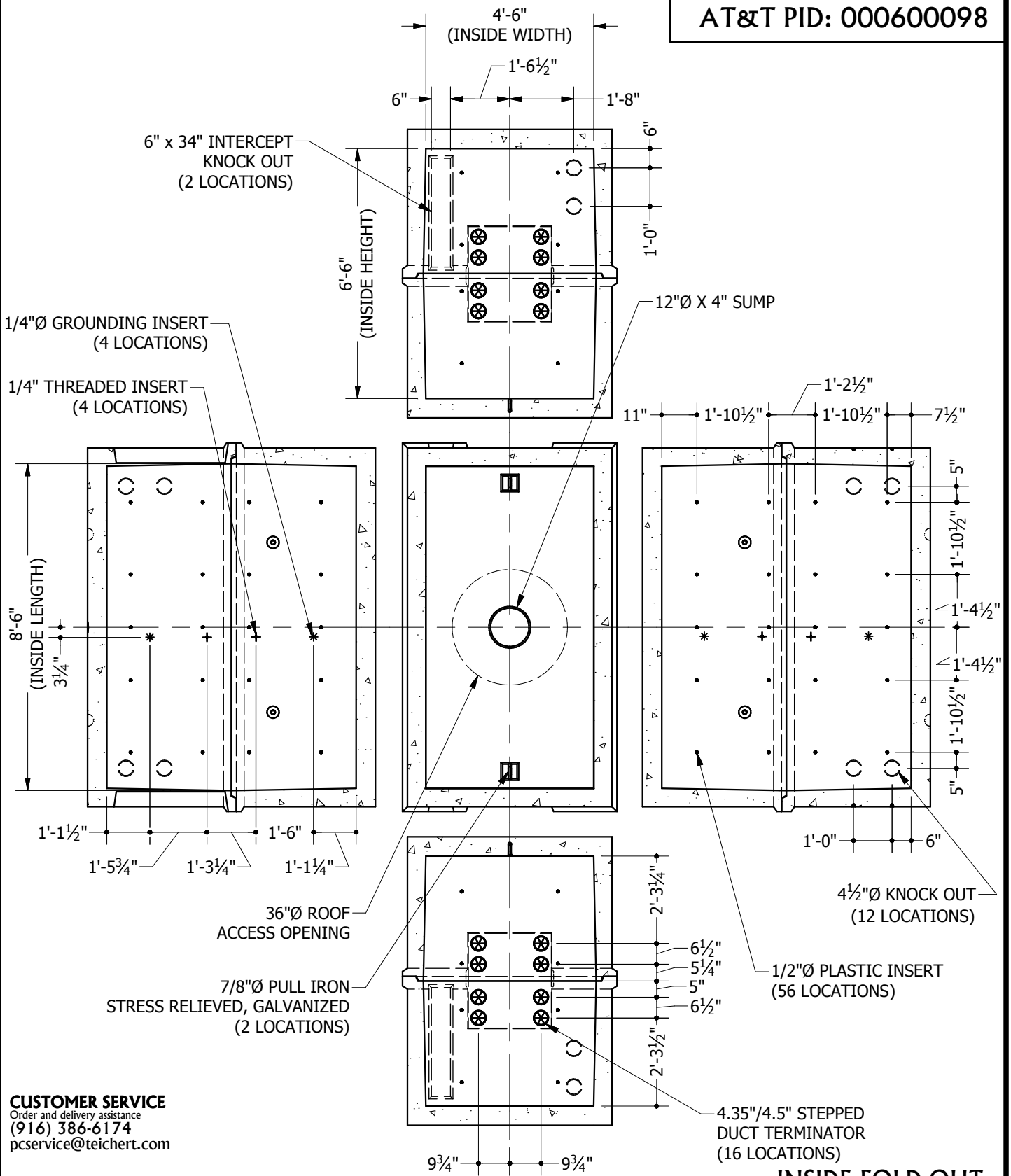
1/5/2009

AGENCY SERIES:

PTS-65

PART #:

ASY-0510-78-HT-AT



**INSIDE FOLD OUT
DETAILED VIEW**

CUSTOMER SERVICE
Order and delivery assistance
(916) 386-6174
pcservice@teichert.com

ENGINEERING/TECHNICAL SERVICE
Technical assistance and on site support
(916) 386-6177
pcengineering@teichert.com

TEICHERT PRECAST PRODUCTS
SACRAMENTO · STOCKTON
WWW.TEICHERTPRECASTPRODUCTS.COM
8180 SIGNAL COURT SACRAMENTO, CA 95824
PHONE: (916) 386-6174 FAX: (916) 386-8823
2441 W. CHARTER WAY STOCKTON, CA 95206
PHONE: (209) 464-7696 FAX: (209) 464-6822

4'-6" x 8'-6" x 6'-6"
AT&T MANHOLE
CENTER DUCT
TRAFFIC RATED

ISSUE DATE:	1/5/2009
AGENCY SERIES:	PTS-65
PART #:	ASY-0510-78-HT-AT