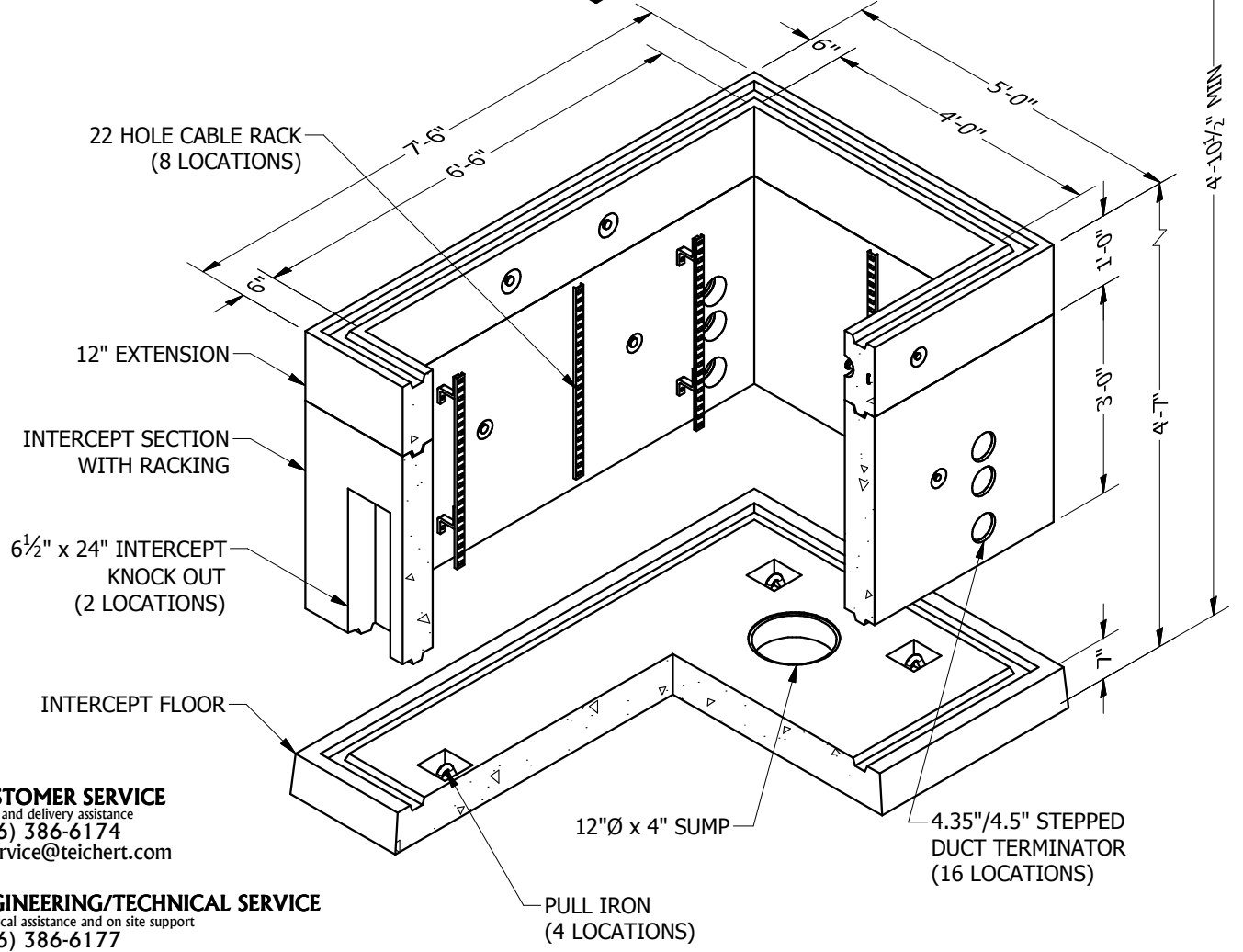
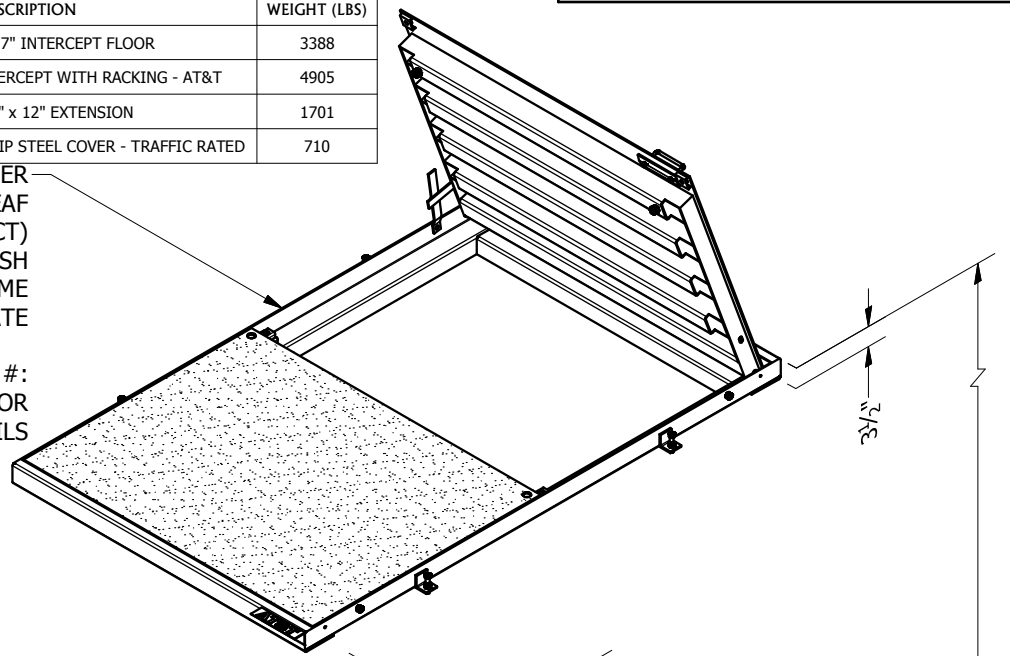


MATERIAL LIST

PART NUM	DESCRIPTION	WEIGHT (LBS)
0500-F	4'-0" x 6'-6" x 7" INTERCEPT FLOOR	3388
0500-INT36-R-AT	4'-0" x 6'-6" x 3'-0" INTERCEPT WITH RACKING - AT&T	4905
0500-E12	4'-0" x 6'-6" x 12" EXTENSION	1701
0500-SHC-TRNS-AT	TORSION HINGED NON-SLIP STEEL COVER - TRAFFIC RATED	710

ACCESS COVER
 TORSION HINGED DOUBLE LEAF
 H-20 TRAFFIC RATED (NON IMPACT)
 NON-SLIP COVER FINISH
 ADJUSTABLE SKIRTED STYLE FRAME
 AT&T NAME PLATE

SEE DRAWING OF PART #:
 0500-SHC-TRNS-AT FOR
 ADDITIONAL COVER DETAILS



CUSTOMER SERVICE
 Order and delivery assistance
 (916) 386-6174
 pcservice@teichert.com

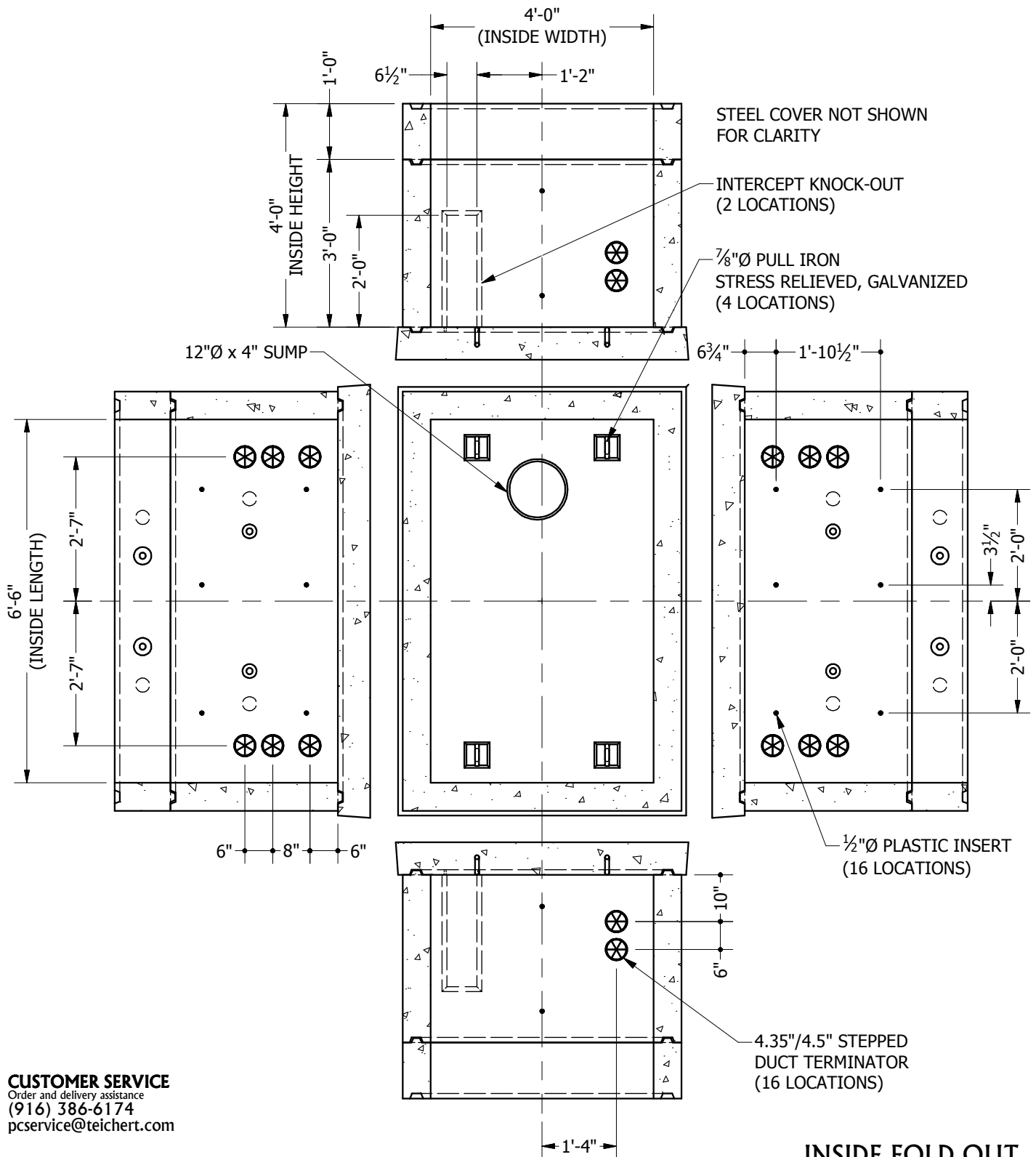
ENGINEERING/TECHNICAL SERVICE
 Technical assistance and on site support
 (916) 386-6177
 pcengineering@teichert.com

TEICHERT PRECAST PRODUCTS
 SACRAMENTO · STOCKTON
WWW.TEICHERTPRECASTPRODUCTS.COM
 8180 SIGNAL COURT SACRAMENTO, CA 95824 2441 W. CHARTER WAY STOCKTON, CA 95206
 PHONE: (916) 386-6174 FAX: (916) 386-8823 PHONE: (209) 464-7696 FAX: (209) 464-6822

4'-0" x 6'-6" x 4'-0" INTERCEPT
 AT&T SUB-SURFACE ENCLOSURE
 TRAFFIC RATED HINGED
 NON-SLIP COVER

ISSUE DATE: 1/5/2009
 AGENCY SERIES: PTS-4878I
 PART #: ASY-0500-INT48-HTR-AT

AT&T PID: 000600320



**INSIDE FOLD OUT
DETAILED VIEW**

CUSTOMER SERVICE
Order and delivery assistance
(916) 386-6174
pcservice@teichert.com

ENGINEERING/TECHNICAL SERVICE
Technical assistance and on site support
(916) 386-6177
pcengineering@teichert.com

4'-0" x 6'-6" x 4'-0" INTERCEPT
AT&T SUB-SURFACE ENCLOSURE
TRAFFIC RATED HINGED
NON-SLIP COVER

ISSUE DATE:	1/5/2009
AGENCY SERIES:	PTS-48781
PART #:	ASY-0500-INT48-HTR-AT

TEICHERT PRECAST PRODUCTS
SACRAMENTO · STOCKTON
WWW.TEICHERTPRECASTPRODUCTS.COM

8180 SIGNAL COURT SACRAMENTO, CA 95824
PHONE: (916) 386-6174 FAX: (916) 386-8823

2441 W. CHARTER WAY STOCKTON, CA 95206
PHONE: (209) 464-7696 FAX: (209) 464-6822