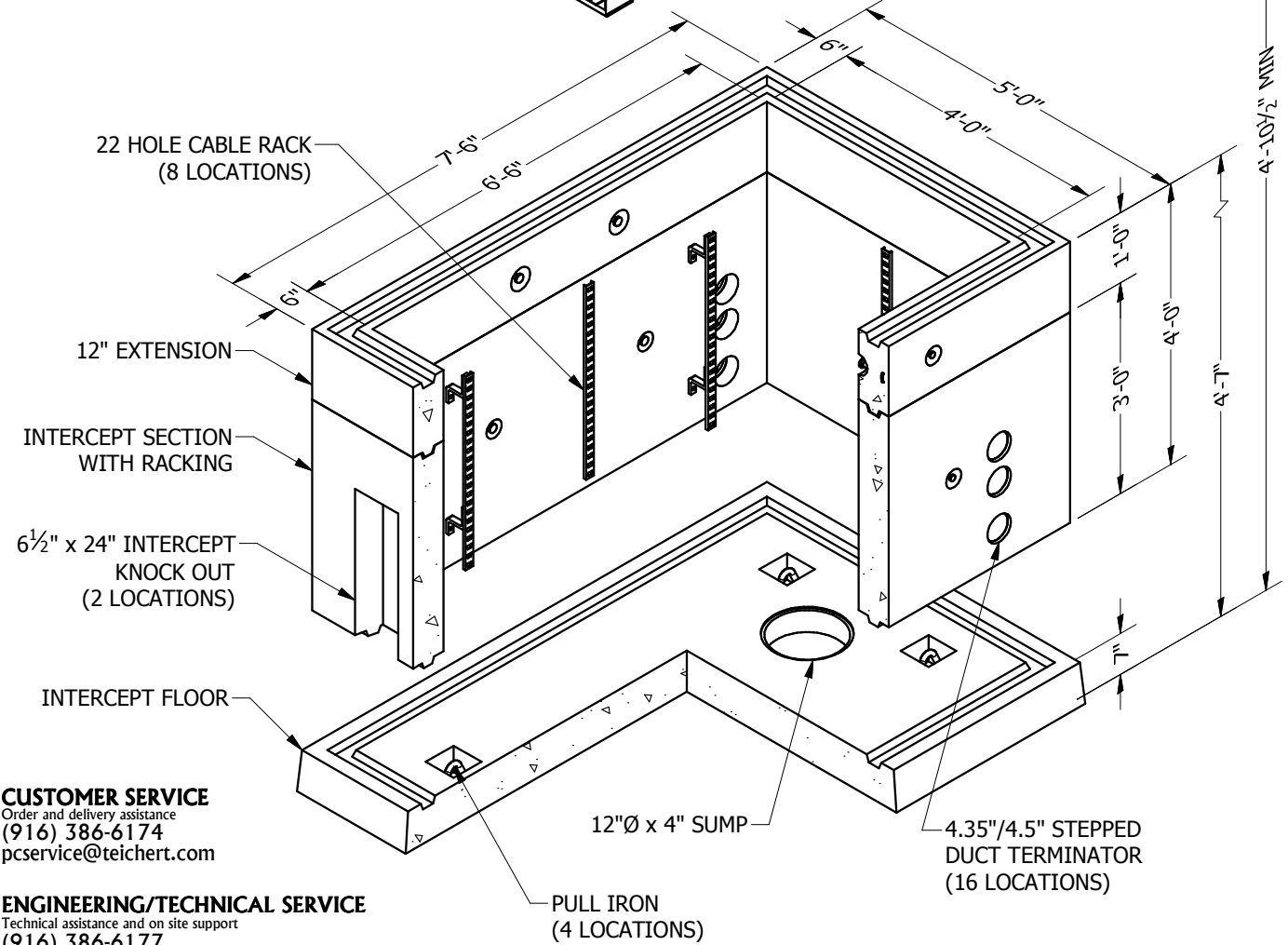
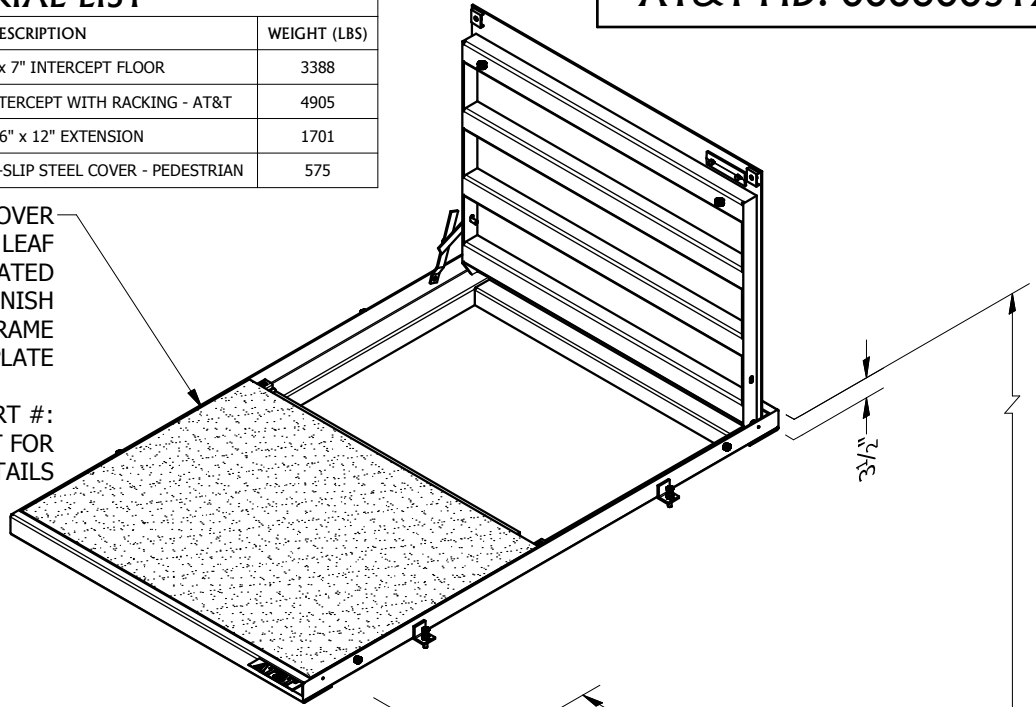


MATERIAL LIST

PART NUM	DESCRIPTION	WEIGHT (LBS)
0500-F	4'-0" x 6'-6" x 7" INTERCEPT FLOOR	3388
0500-INT36-R-AT	4'-0" x 6'-6" x 3'-0" INTERCEPT WITH RACKING - AT&T	4905
0500-E12	4'-0" x 6'-6" x 12" EXTENSION	1701
0500-SHC-PRNS-AT	TORSION HINGED NON-SLIP STEEL COVER - PEDESTRIAN	575

ACCESS COVER
 TORSION HINGED DOUBLE LEAF
 PEDESTRIAN RATED
 NON-SLIP COVER FINISH
 ADJUSTABLE SKIRTED STYLE FRAME
 AT&T NAME PLATE

SEE DRAWING OF PART #:
 0500-SHC-PRNS-AT FOR
 ADDITIONAL COVER DETAILS



CUSTOMER SERVICE
 Order and delivery assistance
 (916) 386-6174
 pcservice@teichert.com

ENGINEERING/TECHNICAL SERVICE
 Technical assistance and on site support
 (916) 386-6177
 pcengineering@teichert.com



TEICHERT PRECAST PRODUCTS
 SACRAMENTO · STOCKTON
 WWW.TEICHERTPRECASTPRODUCTS.COM

8180 SIGNAL COURT SACRAMENTO, CA 95824
 PHONE: (916) 386-6174 FAX: (916) 386-8823

2441 W. CHARTER WAY STOCKTON, CA 95206
 PHONE: (209) 464-7696 FAX: (209) 464-6822

4'-0" x 6'-6" x 4'-0" INTERCEPT
 AT&T SUB-SURFACE ENCLOSURE
 PEDESTRIAN RATED HINGED
 NON-SLIP COVER

ISSUE DATE:

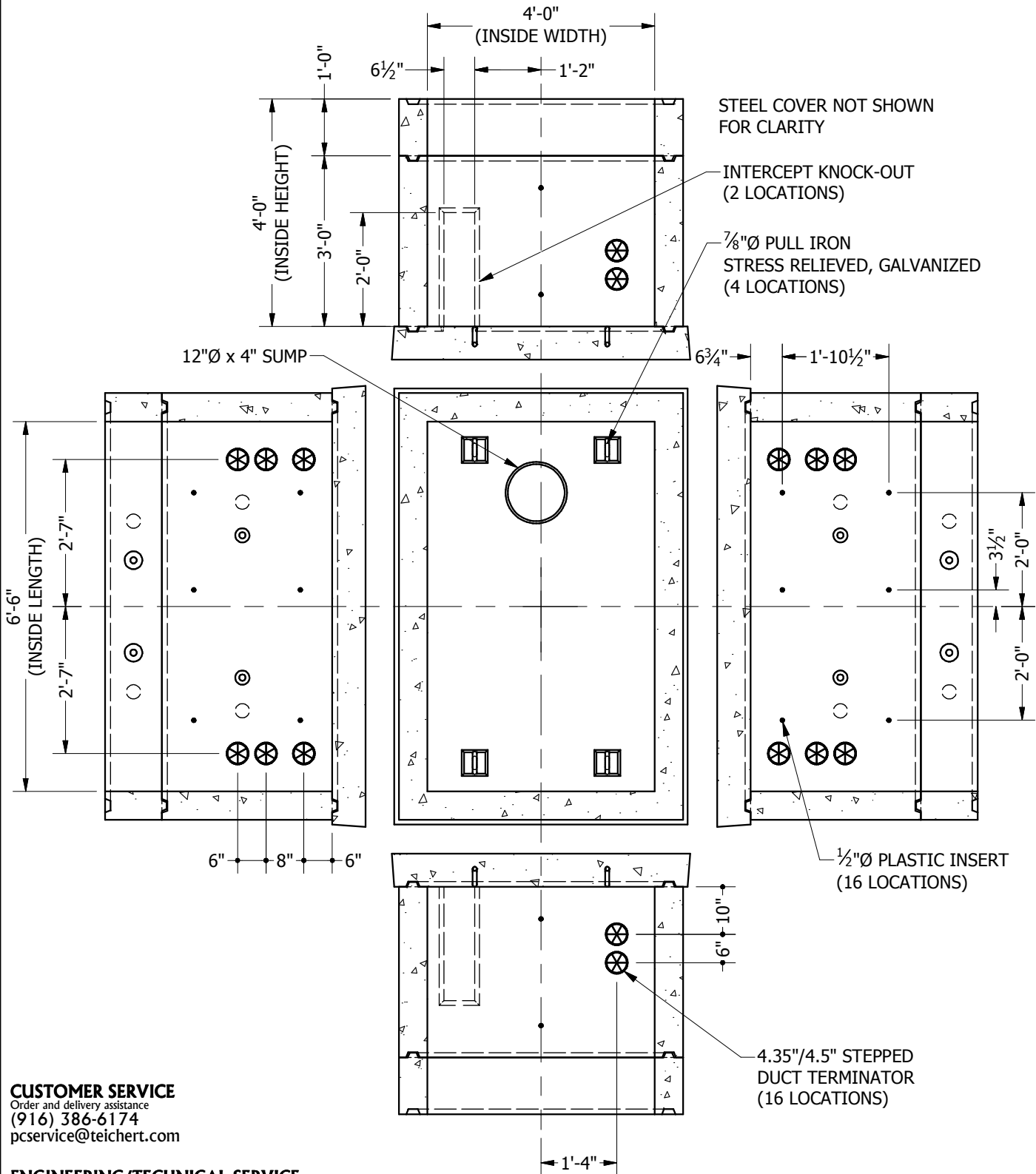
1/5/2009

AGENCY SERIES:

PTS-4878I

PART #:

ASY-0500-INT48-HPR-AT



CUSTOMER SERVICE

Order and delivery assistance
 (916) 386-6174
 pcservice@teichert.com

ENGINEERING/TECHNICAL SERVICE

Technical assistance and on site support
 (916) 386-6177
 pceengineering@teichert.com



TEICHERT PRECAST PRODUCTS

SACRAMENTO · STOCKTON
 WWW.TEICHERTPRECASTPRODUCTS.COM

8180 SIGNAL COURT SACRAMENTO, CA 95824 2441 W. CHARTER WAY STOCKTON, CA 95206
 PHONE: (916) 386-6174 FAX: (916) 386-8823 PHONE: (209) 464-7696 FAX: (209) 464-6822

4'-0" x 6'-6" x 4'-0" INTERCEPT
 AT&T SUB-SURFACE ENCLOSURE
 PEDESTRIAN RATED HINGED
 NON-SLIP COVER

ISSUE DATE:

1/5/2009

AGENCY SERIES:

PTS-4878I

PART #:

ASY-0500-INT48-HPR-AT