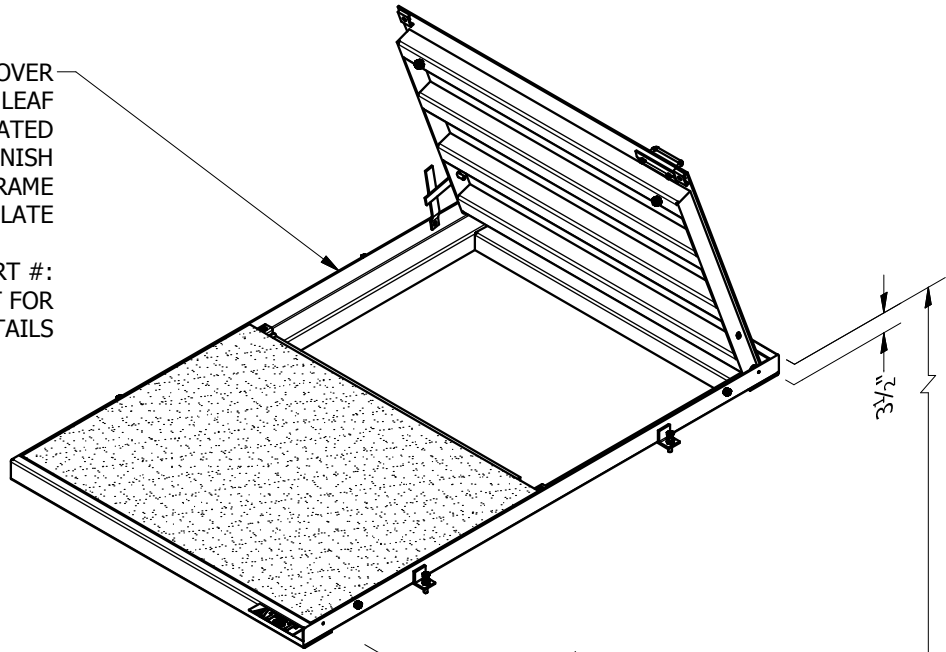


MATERIAL LIST

PART NUM	DESCRIPTION	WEIGHT (LBS)
0500-B48-R-AT	4'-0" x 6'-6" x 4'-0" BASE WITH RACKING - AT&T	9823
0500-SHC-PRNS-AT	TORSION HINGED NON-SLIP STEEL COVER - PEDESTRIAN	575

ACCESS COVER
 TORSION HINGED DOUBLE LEAF
 PEDESTRIAN RATED
 NON-SLIP COVER FINISH
 ADJUSTABLE SKIRTED STYLE FRAME
 AT&T NAME PLATE

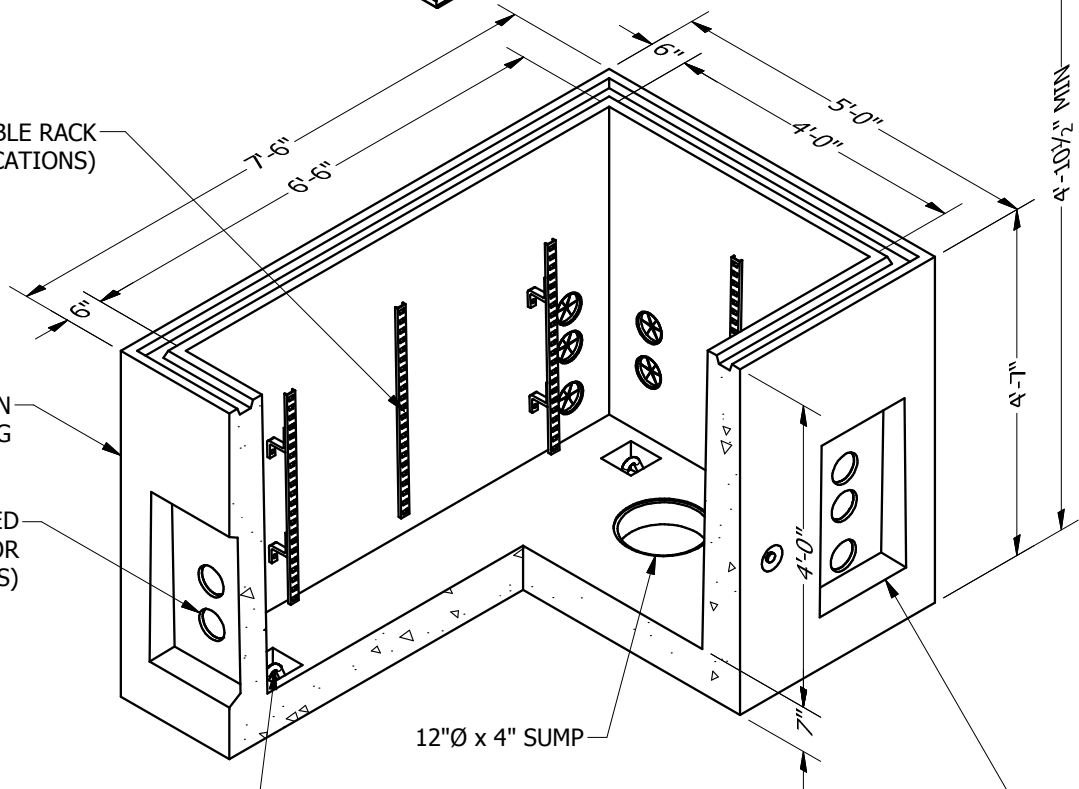
SEE DRAWING OF PART #:
 0500-SHC-PRNS-AT FOR
 ADDITIONAL COVER DETAILS



22 HOLE CABLE RACK
 (8 LOCATIONS)

BASE SECTION
 WITH RACKING

4.35"/4.5" STEPPED
 DUCT TERMINATOR
 (20 LOCATIONS)



12"Ø x 4" SUMP

PULL IRON
 (4 LOCATIONS)

12 1/2" x 24" TERMINATOR PAN
 (8 LOCATIONS)

CUSTOMER SERVICE
 Order and delivery assistance
 (916) 386-6174
 pcservice@teichert.com

ENGINEERING/TECHNICAL SERVICE
 Technical assistance and on site support
 (916) 386-6177
 pcengineering@teichert.com



TEICHERT PRECAST PRODUCTS
 SACRAMENTO · STOCKTON
 WWW.TEICHERTPRECASTPRODUCTS.COM

8180 SIGNAL COURT SACRAMENTO, CA 95824
 PHONE: (916) 386-6174 FAX: (916) 386-8823

2441 W. CHARTER WAY STOCKTON, CA 95206
 PHONE: (209) 464-7696 FAX: (209) 464-6822

4'-0" x 6'-6" x 4'-0"
 AT&T SUB-SURFACE ENCLOSURE
 PEDESTRIAN RATED HINGED
 NON-SLIP COVER

ISSUE DATE:

1/5/2009

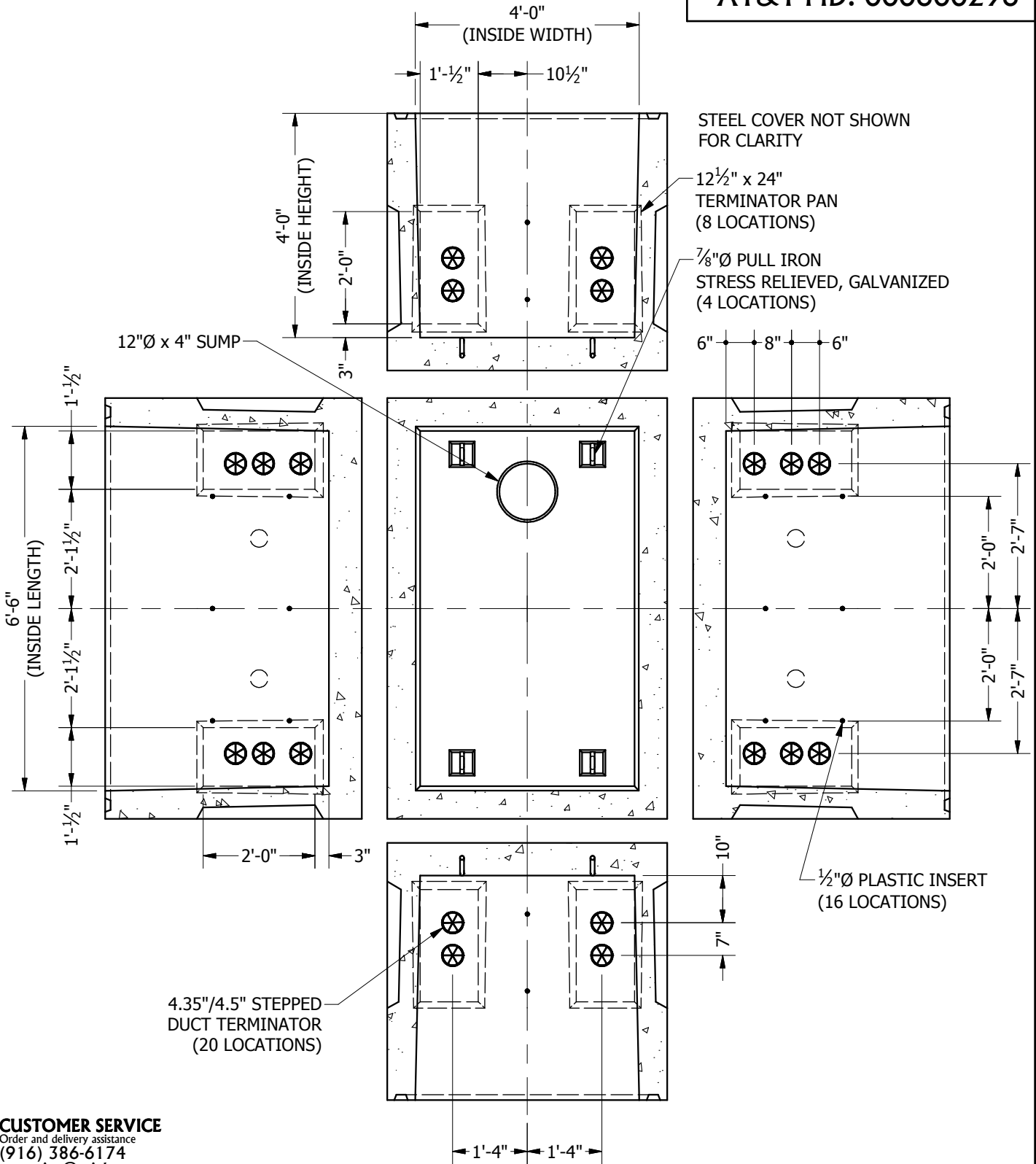
AGENCY SERIES:

PTS-4878

PART #:

ASY-0500-48-HPR-AT

AT&T PID: 000600296



CUSTOMER SERVICE
 Order and delivery assistance
 (916) 386-6174
 pcservice@teichert.com

ENGINEERING/TECHNICAL SERVICE
 Technical assistance and on site support
 (916) 386-6177
 pceengineering@teichert.com

**INSIDE FOLD OUT
 DETAILED VIEW**

TEICHERT PRECAST PRODUCTS
 SACRAMENTO · STOCKTON
 WWW.TEICHERTPRECASTPRODUCTS.COM

8180 SIGNAL COURT SACRAMENTO, CA 95824
 PHONE: (916) 386-6174 FAX: (916) 386-8823

2441 W. CHARTER WAY STOCKTON, CA 95206
 PHONE: (209) 464-7696 FAX: (209) 464-6822

4'-0" x 6'-6" x 4'-0"
 AT&T SUB-SURFACE ENCLOSURE
 PEDESTRIAN RATED HINGED
 NON-SLIP COVER

ISSUE DATE: 1/5/2009
 AGENCY SERIES: PTS-4878
 PART #: ASY-0500-48-HPR-AT