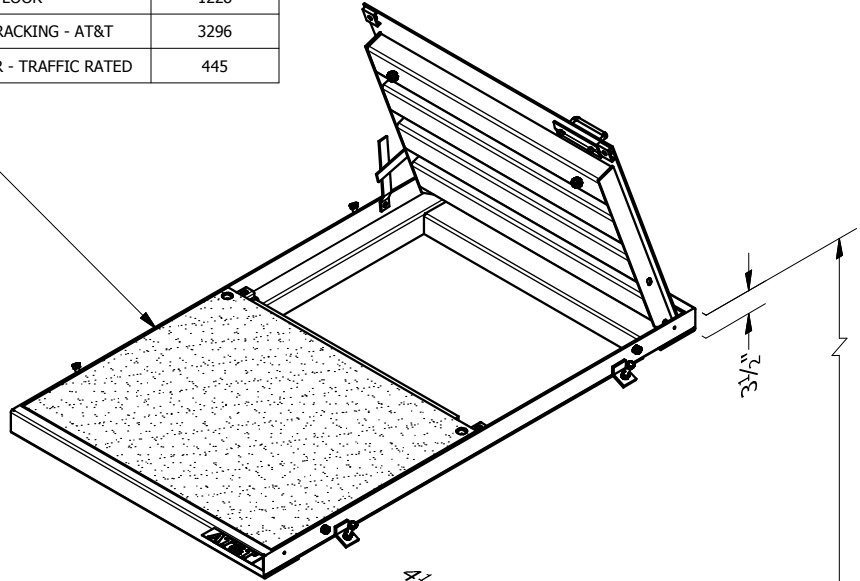


MATERIAL LIST

PART NUM	DESCRIPTION	WEIGHT (LBS)
0400-F06	3'-0" x 5'-0" x 6" INTERCEPT FLOOR	1228
0400-INT46-R-AT	3'-0" x 5'-0" x 3'-10" INTERCEPT WITH RACKING - AT&T	3296
0400-SHC-TRNS-AT	TORSION HINGED NON-SLIP STEEL COVER - TRAFFIC RATED	445

ACCESS COVER
 TORSION HINGED DOUBLE LEAF
 H-20 TRAFFIC RATED (NON-IMPACT)
 NON-SLIP COVER FINISH
 ADJUSTABLE SKIRTED STYLE FRAME
 AT&T NAME PLATE

SEE DRAWING OF PART #:
 0400-SHC-TRNS-AT FOR
 ADDITIONAL COVER DETAILS

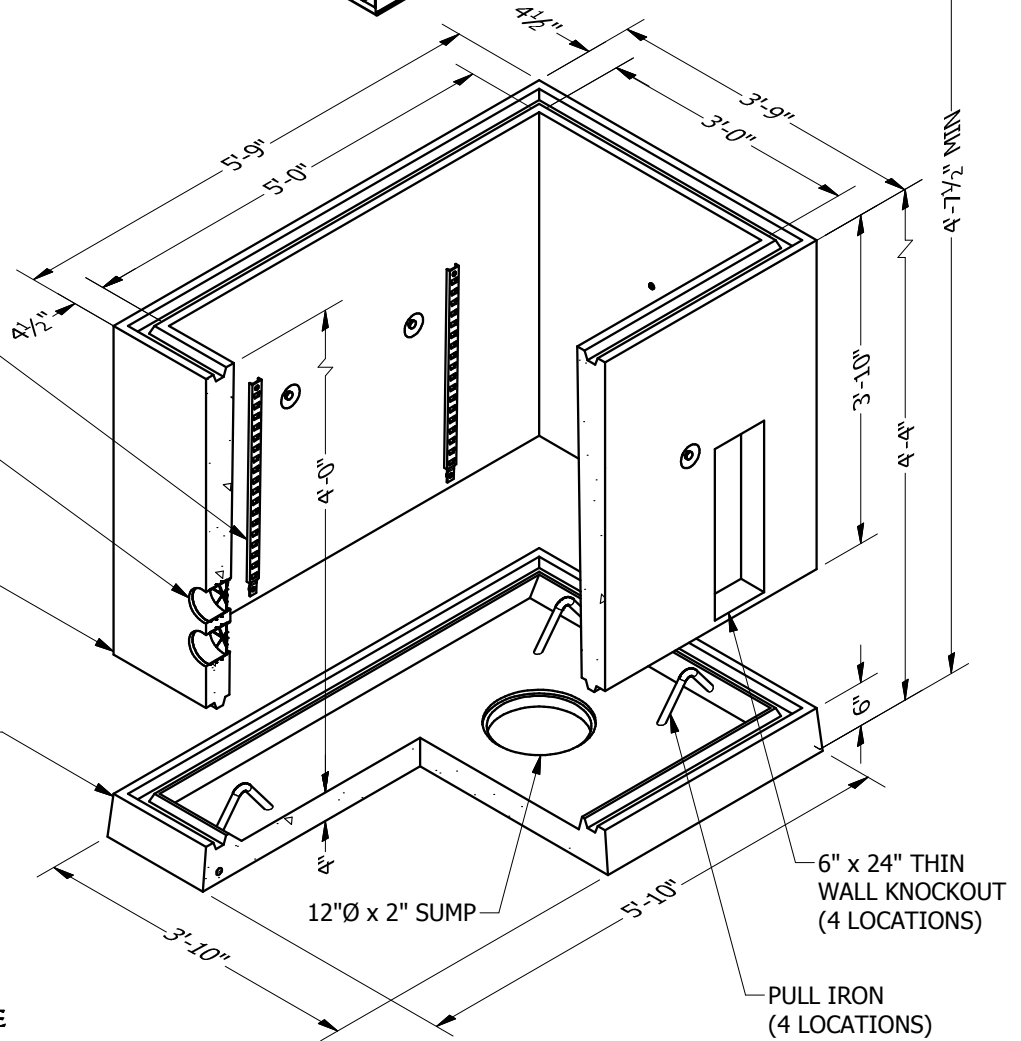


18 HOLE CABLE RACK
 (4 LOCATIONS)

4.35"/4.5" STEPPED
 DUCT TERMINATOR
 (8) LOCATIONS

INTERCEPT BASE SECTION
 WITH RACKING

INTERCEPT FLOOR SLAB



6" x 24" THIN
 WALL KNOCKOUT
 (4 LOCATIONS)

PULL IRON
 (4 LOCATIONS)

CUSTOMER SERVICE
 Order and delivery assistance
 (916) 386-6174
 pcservice@teichert.com

ENGINEERING/TECHNICAL SERVICE
 Technical assistance and on site support
 (916) 386-6177
 pceengineering@teichert.com

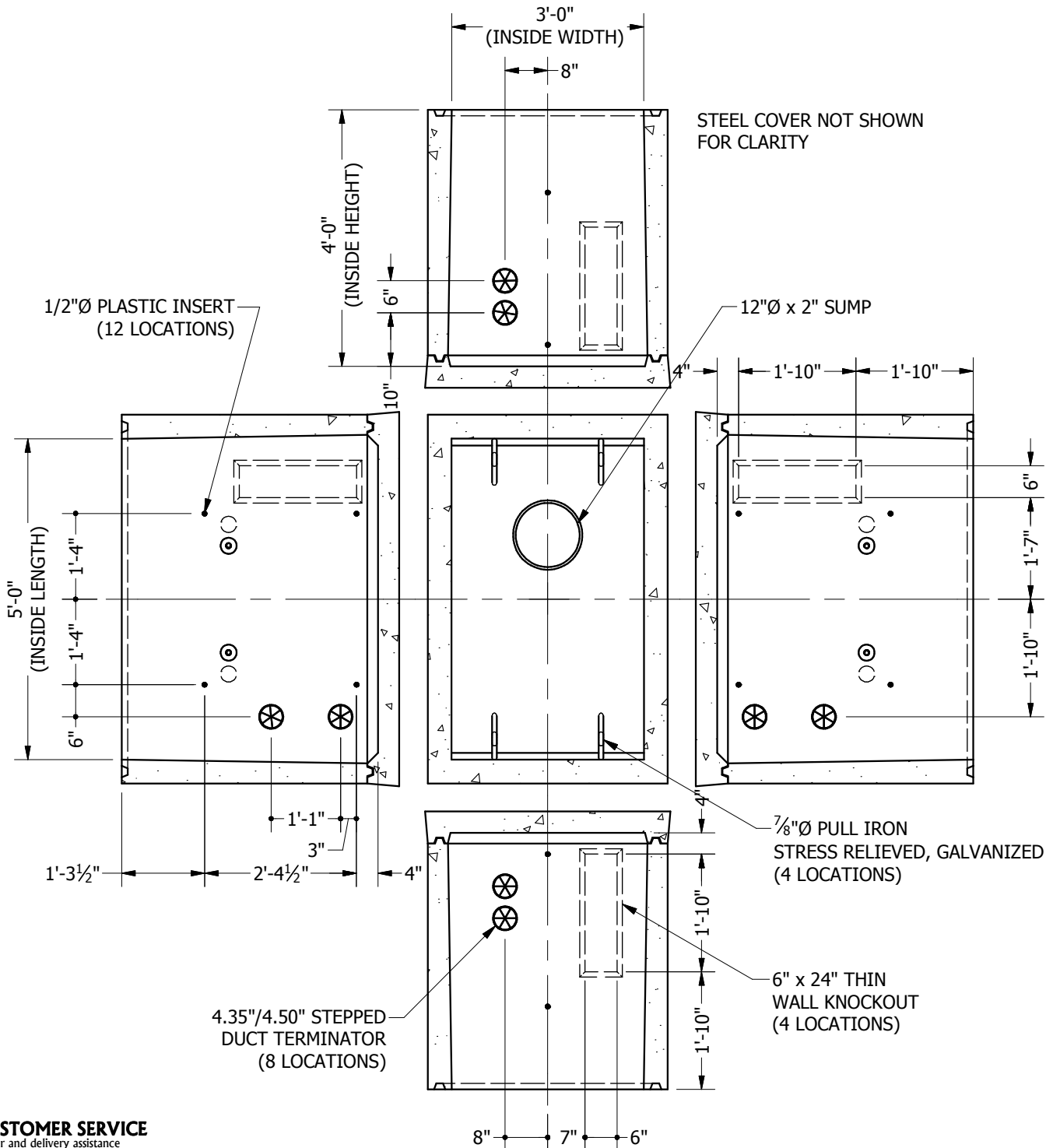


TEICHERT PRECAST PRODUCTS
 SACRAMENTO · STOCKTON
WWW.TEICHERTPRECASTPRODUCTS.COM

8180 SIGNAL COURT SACRAMENTO, CA 95824 2441 W. CHARTER WAY STOCKTON, CA 95206
 PHONE: (916) 386-6174 FAX: (916) 386-8823 PHONE: (209) 464-7696 FAX: (209) 464-6822

3'-0" x 5'-0" x 4'-0" INTERCEPT
 AT&T SUB-SURFACE ENCLOSURE
 TRAFFIC RATED HINGED
 NON-SLIP COVER

ISSUE DATE: 1/5/2009
 AGENCY SERIES: PTS-3660I
 PART #: ASY-0400-INT48-HTR-AT



CUSTOMER SERVICE
Order and delivery assistance
(916) 386-6174
pcservice@teichert.com

ENGINEERING/TECHNICAL SERVICE
Technical assistance and on site support
(916) 386-6177
pcengineering@teichert.com

**INSIDE FOLD OUT
DETAILED VIEW**



TEICHERT PRECAST PRODUCTS
SACRAMENTO · STOCKTON
WWW.TEICHERTPRECASTPRODUCTS.COM

8180 SIGNAL COURT SACRAMENTO, CA 95824
PHONE: (916) 386-6174 FAX: (916) 386-8823

2441 W. CHARTER WAY STOCKTON, CA 95206
PHONE: (209) 464-7696 FAX: (209) 464-6822

3'-0" x 5'-0" x 4'-0" INTERCEPT
AT&T SUB-SURFACE ENCLOSURE
TRAFFIC RATED HINGED
NON-SLIP COVER

ISSUE DATE:

1/5/2009

AGENCY SERIES:

PTS-3660I

PART #:

ASY-0400-INT48-HTR-AT