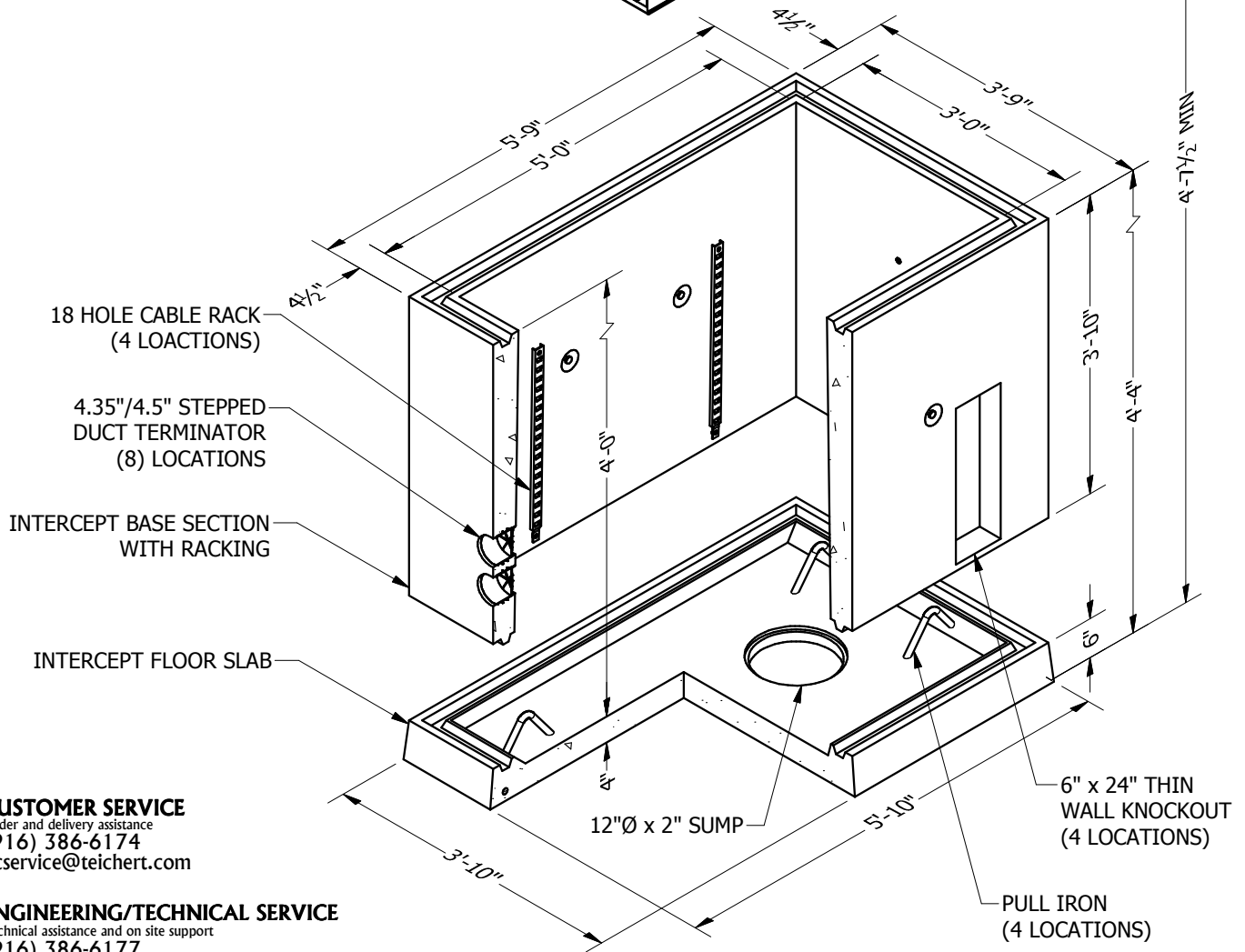
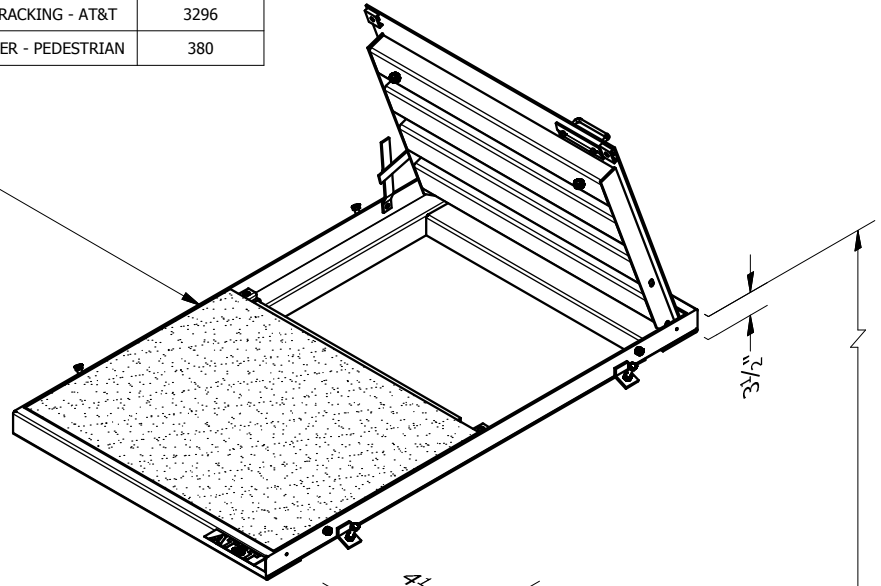


**MATERIAL LIST**

PART NUM	DESCRIPTION	WEIGHT (LBS)
0400-F06	3'-0" x 5'-0" x 6" INTERCEPT FLOOR	1228
0400-INT46-R-AT	3'-0" x 5'-0" x 3'-10" INTERCEPT WITH RACKING - AT&T	3296
0400-SHC-PRNS-AT	TORSION HINGED NON-SLIP STEEL COVER - PEDESTRIAN	380

ACCESS COVER  
TORSION HINGED DOUBLE LEAF  
PEDESTRIAN RATED  
NON-SLIP COVER FINISH  
ADJUSTABLE SKIRTED STYLE FRAME  
AT&T NAME PLATE

SEE DRAWING OF PART #:  
0400-SHC-PRNS-AT FOR  
ADDITIONAL COVER DETAILS



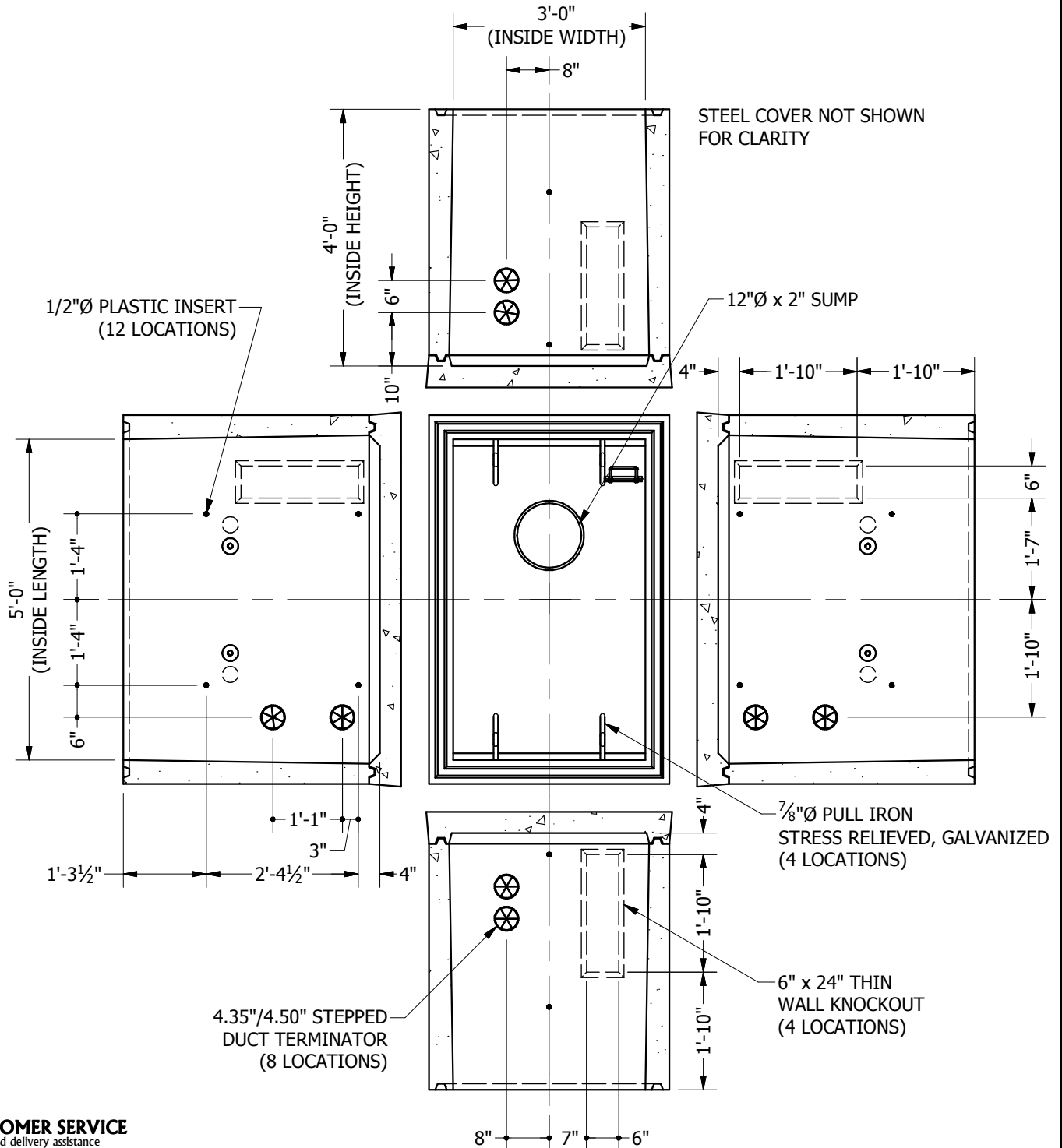
**CUSTOMER SERVICE**  
Order and delivery assistance  
(916) 386-6174  
pcservice@teichert.com

**ENGINEERING/TECHNICAL SERVICE**  
Technical assistance and on site support  
(916) 386-6177  
pcengineering@teichert.com

**TEICHERT PRECAST PRODUCTS**  
SACRAMENTO · STOCKTON  
[WWW.TEICHERTPRECASTPRODUCTS.COM](http://WWW.TEICHERTPRECASTPRODUCTS.COM)  
8180 SIGNAL COURT SACRAMENTO, CA 95824    2441 W. CHARTER WAY STOCKTON, CA 95206  
PHONE: (916) 386-6174 FAX: (916) 386-8823    PHONE: (209) 464-7696 FAX: (209) 464-6822

3'-0" x 5'-0" x 4'-0" INTERCEPT  
AT&T SUB-SURFACE ENCLOSURE  
PEDESTRIAN RATED HINGED  
NON-SLIP COVER

ISSUE DATE: 1/5/2009  
AGENCY SERIES: PTS-3660I  
PART #: ASY-0400-INT48-HPR-AT



**CUSTOMER SERVICE**  
 Order and delivery assistance  
 (916) 386-6174  
 pcservice@teichert.com

**ENGINEERING/TECHNICAL SERVICE**  
 Technical assistance and on site support  
 (916) 386-6177  
 pcengineering@teichert.com

**INSIDE FOLD OUT  
 DETAILED VIEW**



**TEICHERT PRECAST PRODUCTS**  
 SACRAMENTO · STOCKTON  
 WWW.TEICHERTPRECASTPRODUCTS.COM

8180 SIGNAL COURT SACRAMENTO, CA 95824 2441 W. CHARTER WAY STOCKTON, CA 95206  
 PHONE: (916) 386-6174 FAX: (916) 386-8823 PHONE: (209) 464-7696 FAX: (209) 464-6822

3'-0" x 5'-0" x 4'-0" INTERCEPT  
 AT&T SUB-SURFACE ENCLOSURE  
 PEDESTRIAN RATED HINGED  
 NON-SLIP COVER

ISSUE DATE: 1/5/2009  
 AGENCY SERIES: PTS-3660I  
 PART #: ASY-0400-INT48-HPR-AT