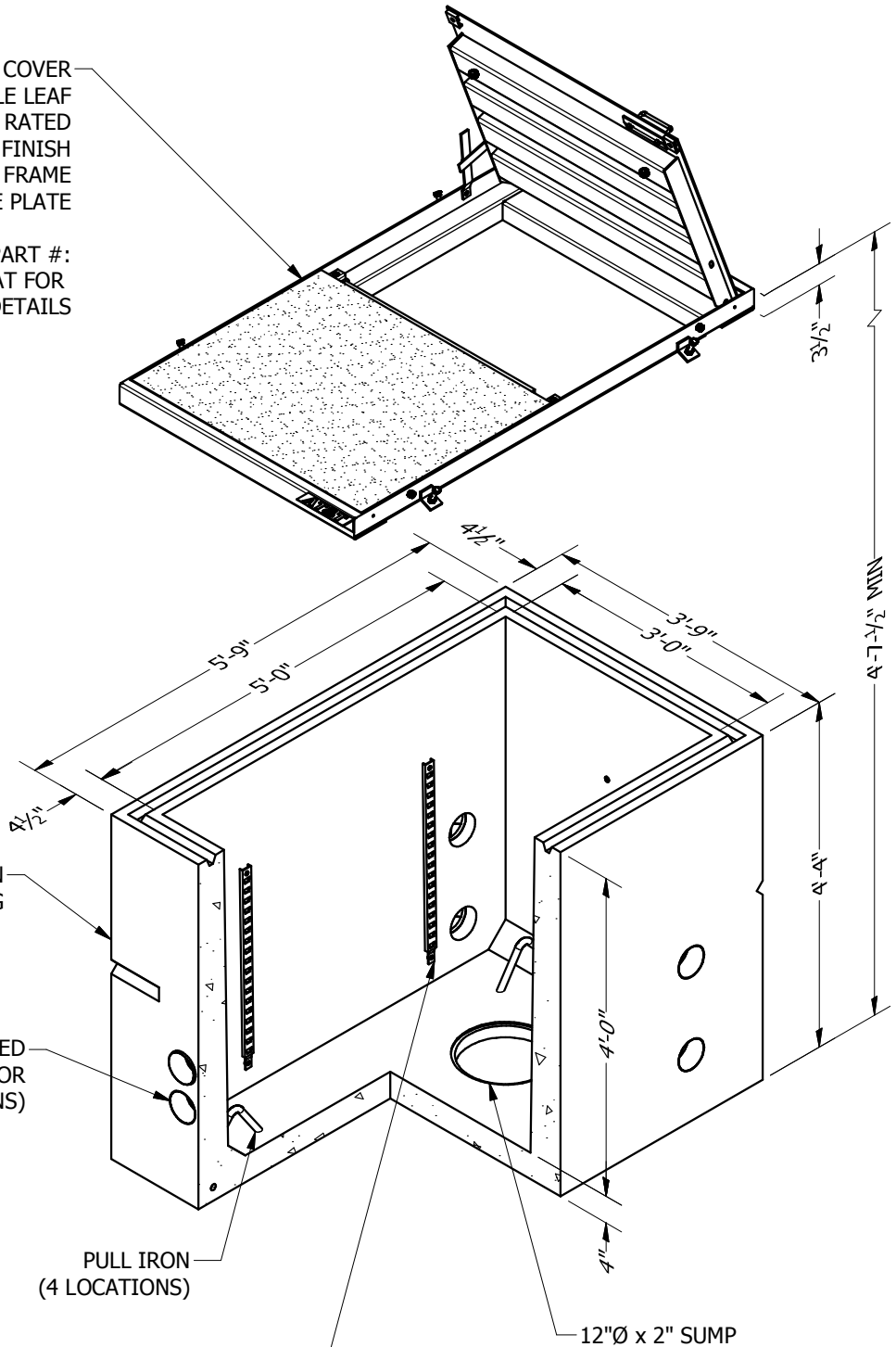


**MATERIAL LIST**

PART NUM	DESCRIPTION	WEIGHT (LBS)
0400-B48-R-AT	3'-0" x 5'-0" x 4'-0" BASE WITH RACKING - AT&T	5214
0400-SHC-PRNS-AT	TORSION HINGED NON-SLIP STEEL COVER - PEDESTRIAN	380

ACCESS COVER  
 TORSION HINGED DOUBLE LEAF  
 PEDESTRIAN RATED  
 NON-SLIP COVER FINISH  
 ADJUSTABLE SKIRTED STYLE FRAME  
 AT&T NAME PLATE

SEE DRAWING OF PART #:  
 0400-SHC-PRNS-AT FOR  
 ADDITIONAL COVER DETAILS



BASE SECTION  
 WITH RACKING

4.35"/4.5" STEPPED  
 DUCT TERMINATOR  
 (16 LOCATIONS)

PULL IRON  
 (4 LOCATIONS)

18 HOLE CABLE RACK  
 (4 LOCATIONS)

**CUSTOMER SERVICE**  
 Order and delivery assistance  
 (916) 386-6174  
 pcservice@teichert.com

**ENGINEERING/TECHNICAL SERVICE**  
 Technical assistance and on site support  
 (916) 386-6177  
 pceengineering@teichert.com



**TEICHERT PRECAST PRODUCTS**  
 SACRAMENTO · STOCKTON  
[WWW.TEICHERTPRECASTPRODUCTS.COM](http://WWW.TEICHERTPRECASTPRODUCTS.COM)

8180 SIGNAL COURT SACRAMENTO, CA 95824  
 PHONE: (916) 386-6174 FAX: (916) 386-8823

2441 W. CHARTER WAY STOCKTON, CA 95206  
 PHONE: (209) 464-7696 FAX: (209) 464-6822

3'-0" x 5'-0" x 4'-0"  
 AT&T SUB-SURFACE ENCLOSURE  
 PEDESTRIAN RATED HINGED  
 NON-SLIP COVER

ISSUE DATE:

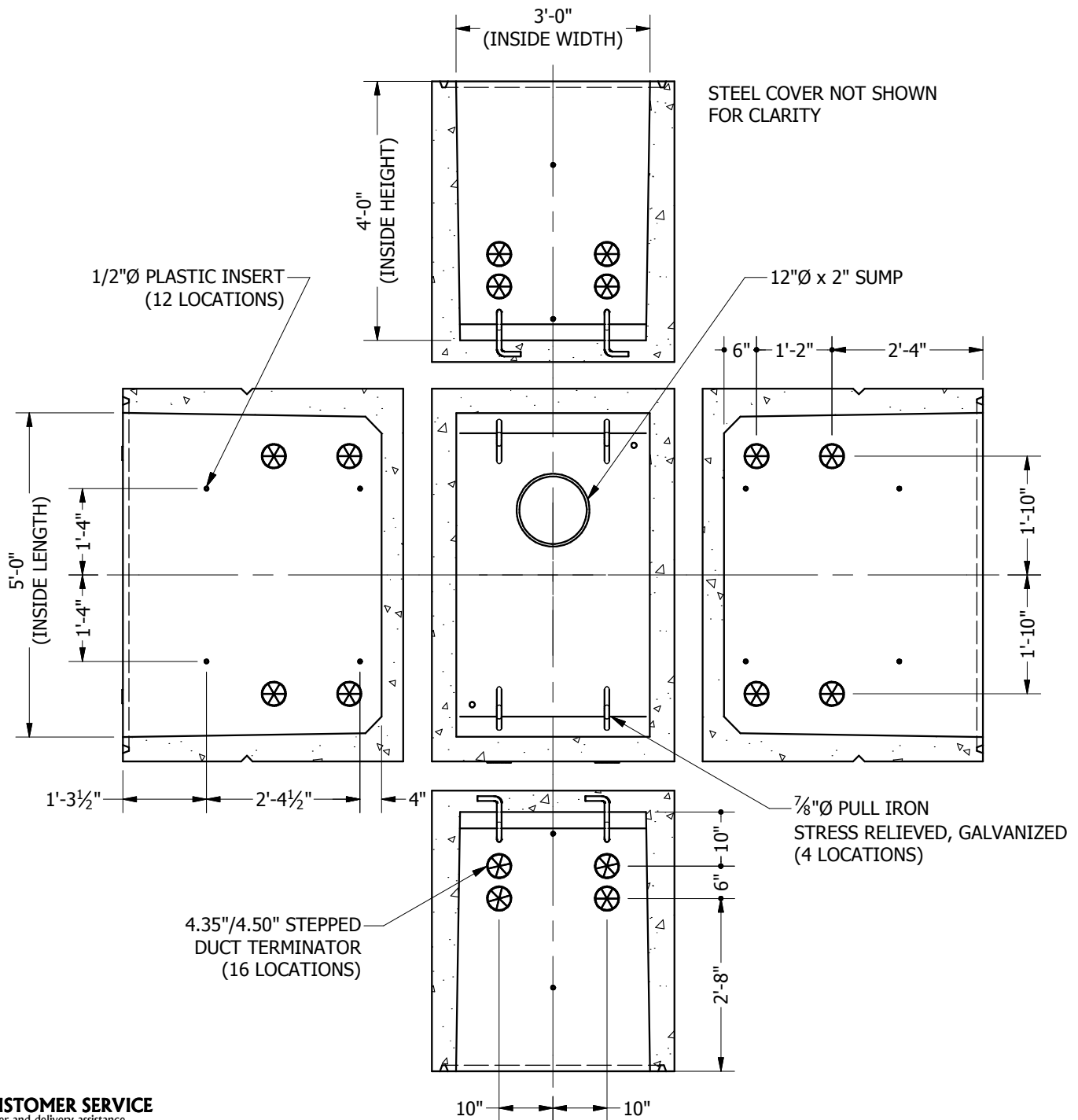
1/5/2009

AGENCY SERIES:

PTS-3660

PART #:

ASY-0400-48-HPR-AT



**INSIDE FOLD OUT  
DETAILED VIEW**

**CUSTOMER SERVICE**

Order and delivery assistance  
(916) 386-6174  
pcservice@teichert.com

**ENGINEERING/TECHNICAL SERVICE**

Technical assistance and on site support  
(916) 386-6177  
pcengineering@teichert.com



**TEICHERT PRECAST PRODUCTS**

SACRAMENTO · STOCKTON  
WWW.TEICHERTPRECASTPRODUCTS.COM

8180 SIGNAL COURT SACRAMENTO, CA 95824  
PHONE: (916) 386-6174 FAX: (916) 386-8823

2441 W. CHARTER WAY STOCKTON, CA 95206  
PHONE: (209) 464-7696 FAX: (209) 464-6822

3'-0" x 5'-0" x 4'-0"  
AT&T SUB-SURFACE ENCLOSURE  
PEDESTRIAN RATED HINGED  
NON-SLIP COVER

ISSUE DATE:

1/5/2009

AGENCY SERIES:

PTS-3660

PART #:

ASY-0400-48-HPR-AT