

AT&T PID: 000600023

MATERIAL LIST

PART NUM	DESCRIPTION	WEIGHT (LBS)
0400-B48-R-AT	3'-0" x 5'-0" x 4'-0" BASE WITH RACKING - AT&T	5214
0400-SDC-PRNS-AT	BOLT DOWN / DRAG OFF NON-SLIP STEEL COVER - PEDESTRIAN	395

ACCESS COVER
BOLT DOWN / DRAG-OFF DOUBLE LEAF
PEDESTRIAN RATED
NON-SLIP COVER FINISH

SEE DRAWING OF PART#:
0400-SDC-PRNS-AT FOR
ADDITIONAL COVER DETAILS

ADJUSTABLE SKIRTED
STYLE FRAME
AT&T NAME PLATE

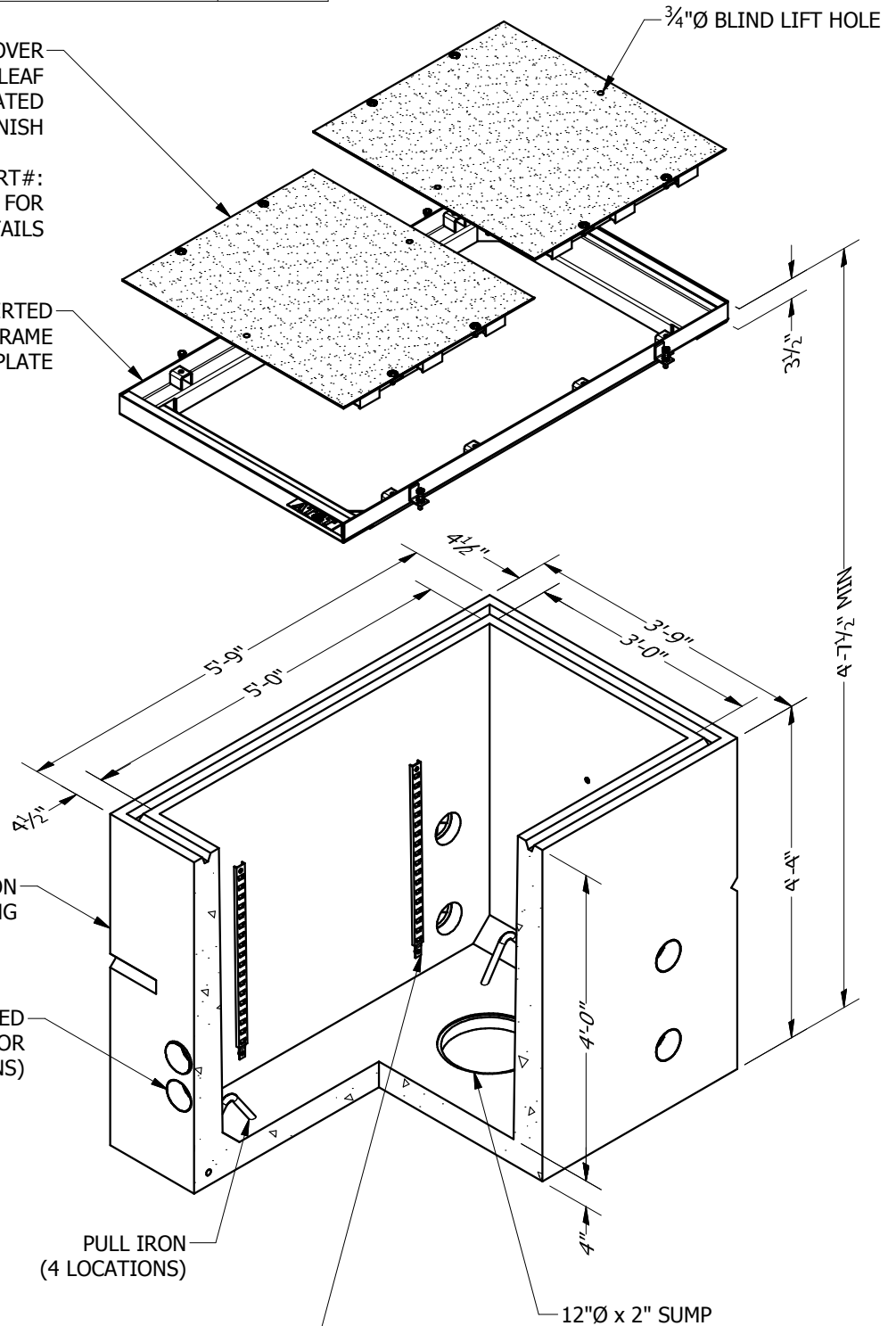
BASE SECTION
WITH RACKING

4.35"/4.5" STEPPED
DUCT TERMINATOR
(16 LOCATIONS)

PULL IRON
(4 LOCATIONS)

18 HOLE CABLE RACK
(4 LOCATIONS)

3/4"Ø BLIND LIFT HOLE



CUSTOMER SERVICE
Order and delivery assistance
(916) 386-6174
pcservice@teichert.com

ENGINEERING/TECHNICAL SERVICE
Technical assistance and on site support
(916) 386-6177
pcengineering@teichert.com



TEICHERT PRECAST PRODUCTS
SACRAMENTO · STOCKTON
WWW.TEICHERTPRECASTPRODUCTS.COM

8180 SIGNAL COURT SACRAMENTO, CA 95824
PHONE: (916) 386-6174 FAX: (916) 386-8823

2441 W. CHARTER WAY STOCKTON, CA 95206
PHONE: (209) 464-7696 FAX: (209) 464-6822

3'-0" x 5'-0" x 4'-0"
AT&T SUB-SURFACE ENCLOSURE
PEDESTRIAN RATED DRAG OFF
NON-SLIP COVER

ISSUE DATE:

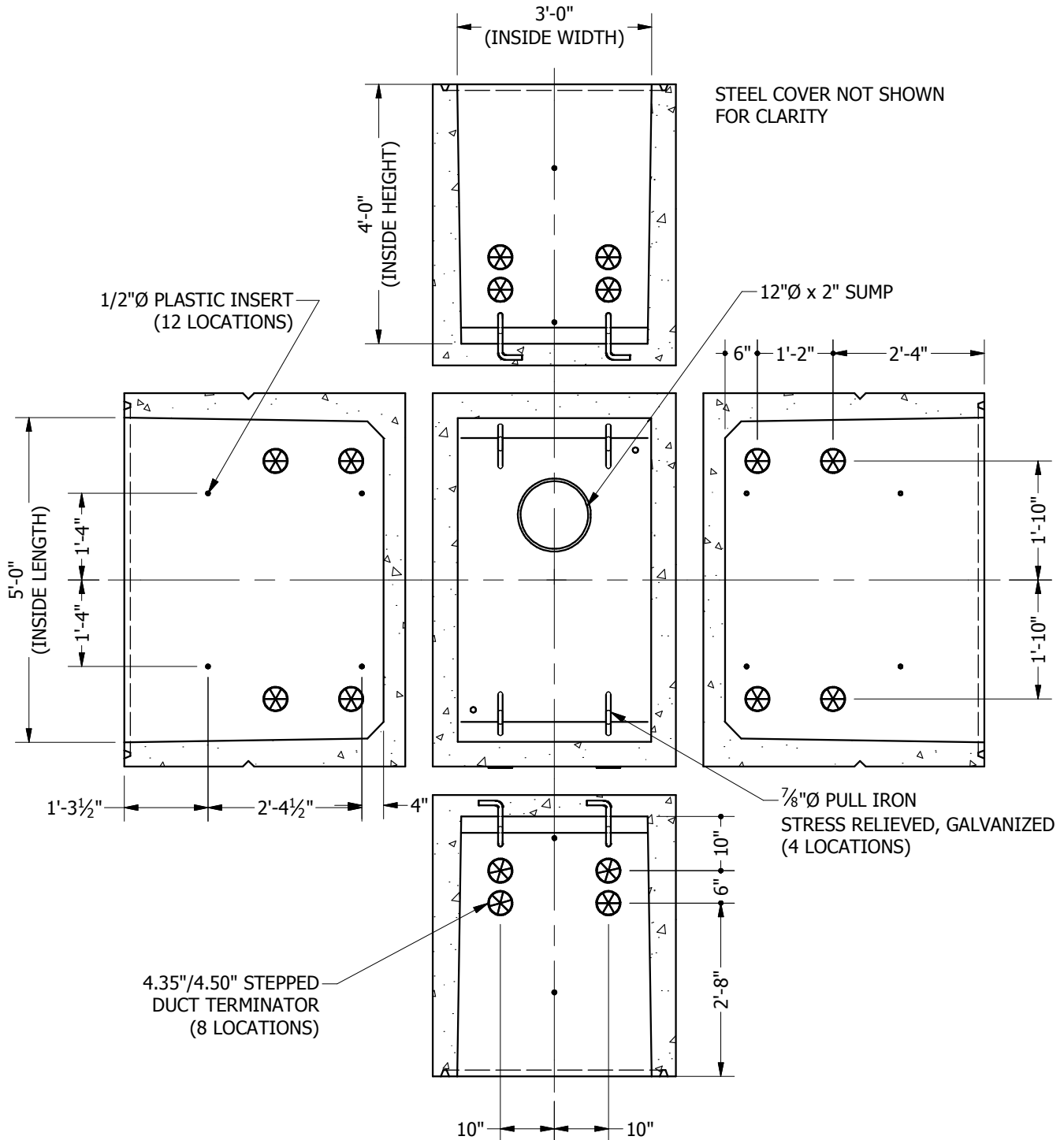
1/5/2009

AGENCY SERIES:

PTS-3660

PART #:

ASY-0400-48-DPR-AT



CUSTOMER SERVICE

Order and delivery assistance
 (916) 386-6174
 pcservice@teichert.com

ENGINEERING/TECHNICAL SERVICE

Technical assistance and on site support
 (916) 386-6177
 pcengineering@teichert.com

**INSIDE FOLD OUT
 DETAILED VIEW**



TEICHERT PRECAST PRODUCTS

SACRAMENTO · STOCKTON
 WWW.TEICHERTPRECASTPRODUCTS.COM

8180 SIGNAL COURT SACRAMENTO, CA 95824
 PHONE: (916) 386-6174 FAX: (916) 386-8823

2441 W. CHARTER WAY STOCKTON, CA 95206
 PHONE: (209) 464-7696 FAX: (209) 464-6822

3'-0" x 5'-0" x 4'-0"
 AT&T SUB-SURFACE ENCLOSURE
 PEDESTRIAN RATED DRAG OFF
 NON-SLIP COVER

ISSUE DATE:

1/5/2009

AGENCY SERIES:

PTS-3660

PART #:

ASY-0400-48-DPR-AT