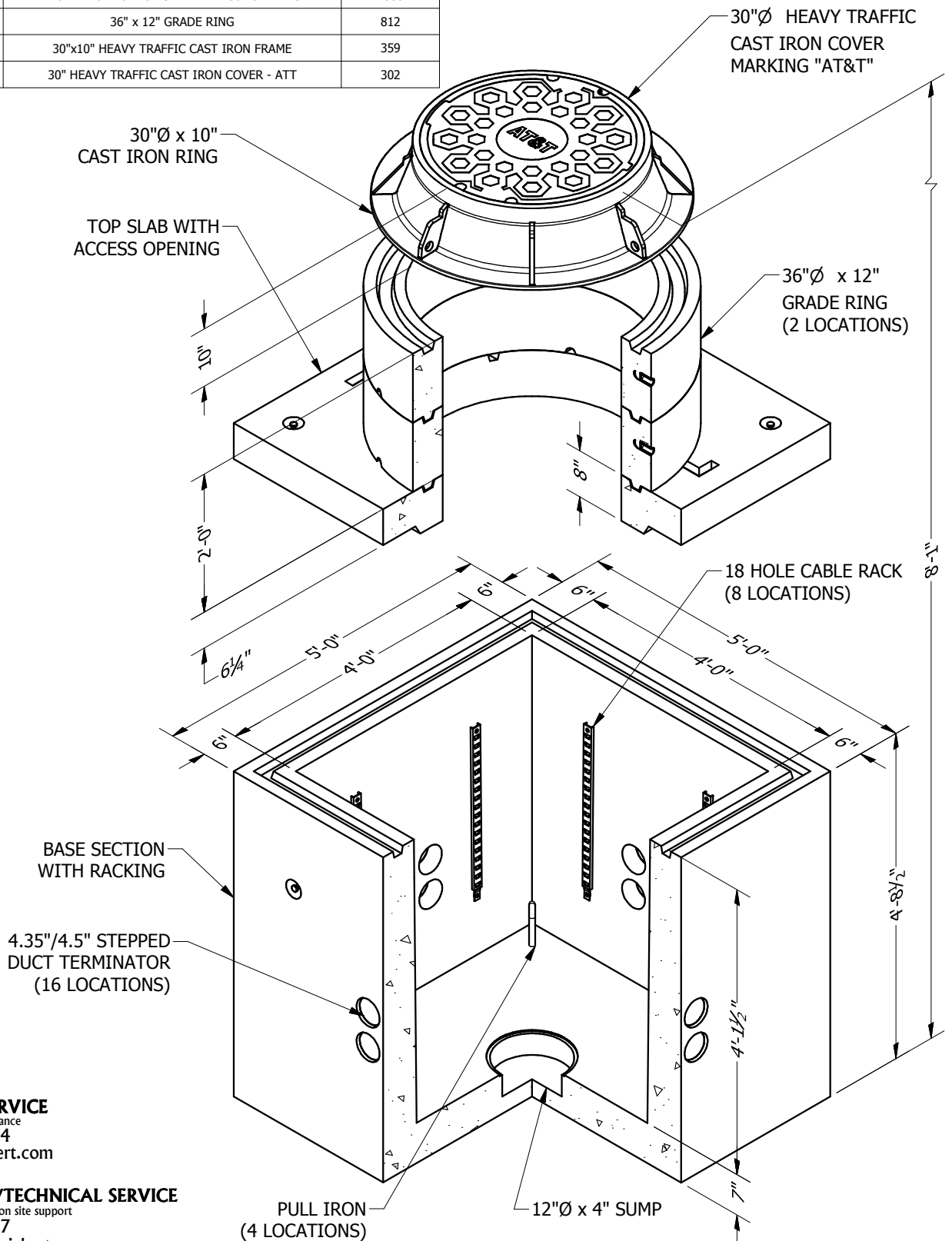


AT&T PID: 301179776

**MATERIAL LIST**

PART NUM	DESCRIPTION	WEIGHT (LBS)
0310-B48-RP-AT	4'-0" x 4'-0" x 4'-0" BASE SECTION RACKED AND PAINTED	7964
0310-T08-M36	4'-0" x 4'-0" x 8" TOP SLAB WITH 36" OPENING	1533
0360-E12	36" x 12" GRADE RING	812
CIA-1133F	30"x10" HEAVY TRAFFIC CAST IRON FRAME	359
CIA-1134C-AT	30" HEAVY TRAFFIC CAST IRON COVER - ATT	302



**CUSTOMER SERVICE**  
 Order and delivery assistance  
 (916) 386-6174  
 pcservice@teichert.com

**ENGINEERING/TECHNICAL SERVICE**  
 Technical assistance and on site support  
 (916) 386-6177  
 pcengineering@teichert.com



**TEICHERT PRECAST PRODUCTS**  
 SACRAMENTO · STOCKTON  
 WWW.TEICHERTPRECASTPRODUCTS.COM

8180 SIGNAL COURT SACRAMENTO, CA 95824  
 PHONE: (916) 386-6174 FAX: (916) 386-8823

2441 W. CHARTER WAY STOCKTON, CA 95206  
 PHONE: (209) 464-7696 FAX: (209) 464-6822

4'-0" x 4'-0" x 4'-0"  
 AT&T FIBER OPTIC MANHOLE  
 TRAFFIC RATED

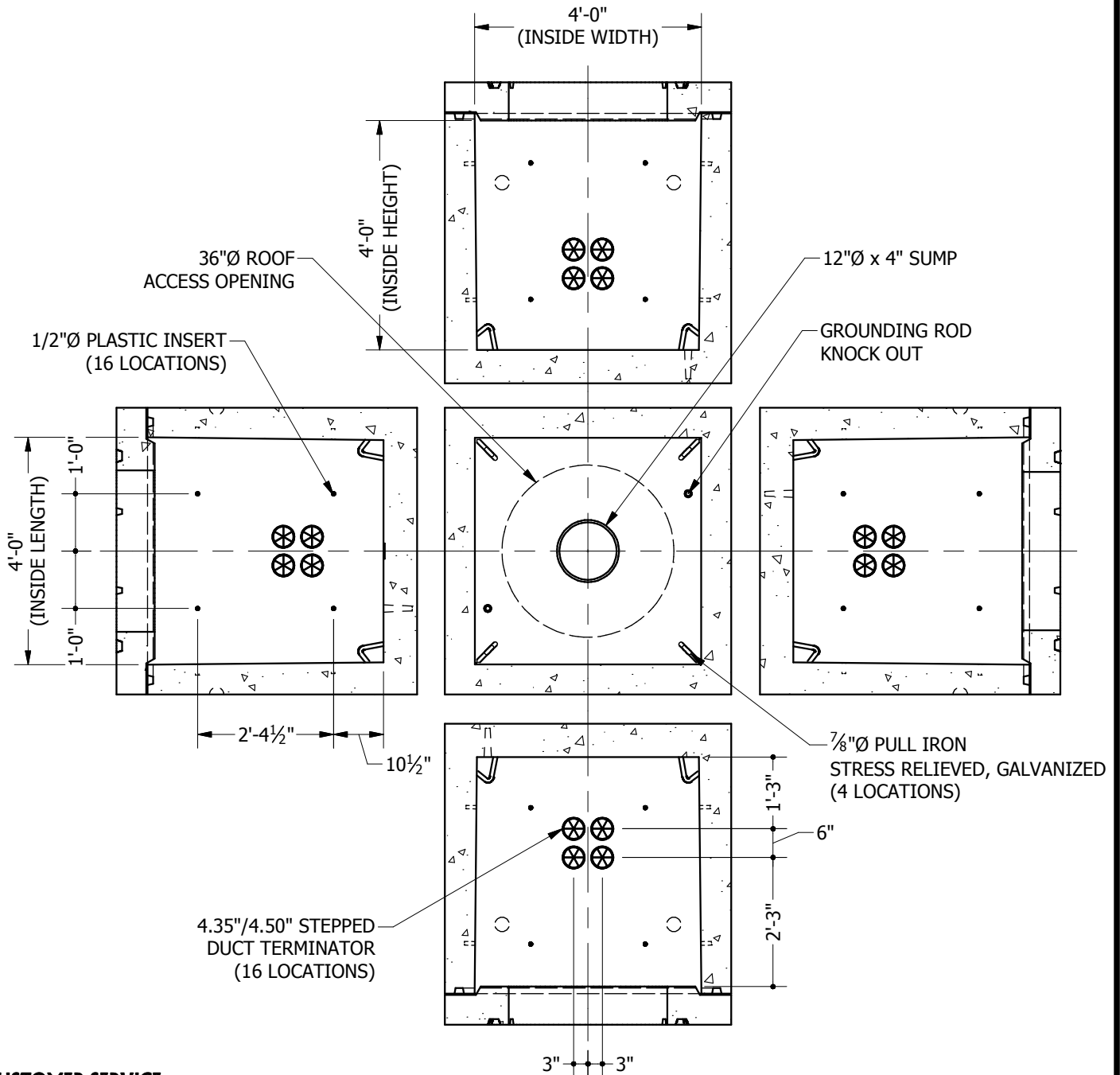
ISSUE DATE:

1/5/2009

AGENCY SERIES:

PART #:

ASY-0310-48-HT-AT



**CUSTOMER SERVICE**

Order and delivery assistance  
 (916) 386-6174  
 pcservice@teichert.com

**ENGINEERING/TECHNICAL SERVICE**

Technical assistance and on site support  
 (916) 386-6177  
 pcengineering@teichert.com

**INSIDE FOLD OUT  
 DETAILED VIEW**



**TEICHERT PRECAST PRODUCTS**

SACRAMENTO · STOCKTON  
 WWW.TEICHERTPRECASTPRODUCTS.COM

8180 SIGNAL COURT SACRAMENTO, CA 95824 2441 W. CHARTER WAY STOCKTON, CA 95206  
 PHONE: (916) 386-6174 FAX: (916) 386-8823 PHONE: (209) 464-7696 FAX: (209) 464-6822

4'-0" x 4'-0" x 4'-0"  
 AT&T FIBER OPTIC MANHOLE  
 TRAFFIC RATED

ISSUE DATE:

1/5/2009

AGENCY SERIES:

PART #:

**ASY-0310-48-HT-AT**