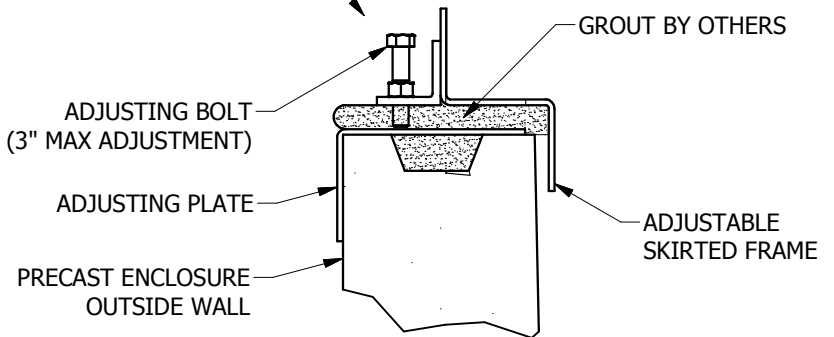
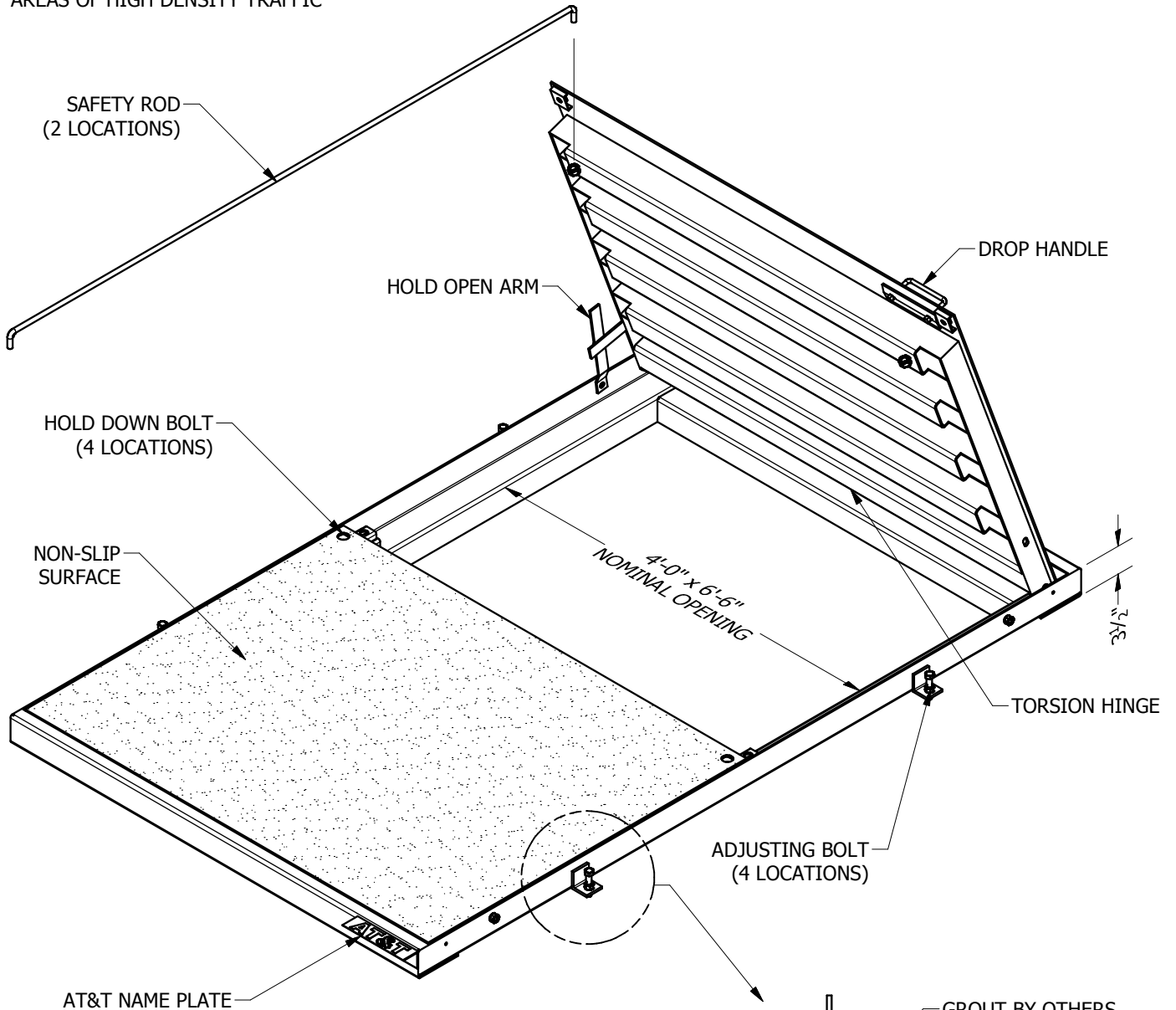


AT&T PID: 000602185

NOTE:
COVERS NOT INTENDED FOR USE IN
AREAS OF HIGH DENSITY TRAFFIC



SKIRTED STYLE HATCH
MOUNTING DETAIL

WEIGHT: 710 LBS

CUSTOMER SERVICE
Order and delivery assistance
(916) 386-6174
pcservice@teichert.com

ENGINEERING/TECHNICAL SERVICE
Technical assistance and on site support
(916) 386-6177
pcengineering@teichert.com



TEICHERT PRECAST PRODUCTS

SACRAMENTO · STOCKTON
WWW.TEICHERTPRECASTPRODUCTS.COM

8180 SIGNAL COURT SACRAMENTO, CA 95824
PHONE: (916) 386-6174 FAX: (916) 386-8823

2441 W. CHARTER WAY STOCKTON, CA 95206
PHONE: (209) 464-7696 FAX: (209) 464-6822

4'-0" x 6'-6" (ID) ACCESS COVER
TRAFFIC RATED HINGED
DOUBLE LEAF NON-SLIP
ADJUSTABLE SKIRTED STYLE FRAME

ISSUE DATE:

1/5/2009

AGENCY SERIES:

PTS-4878

PART #:

0500-SHC-TRNS-AT