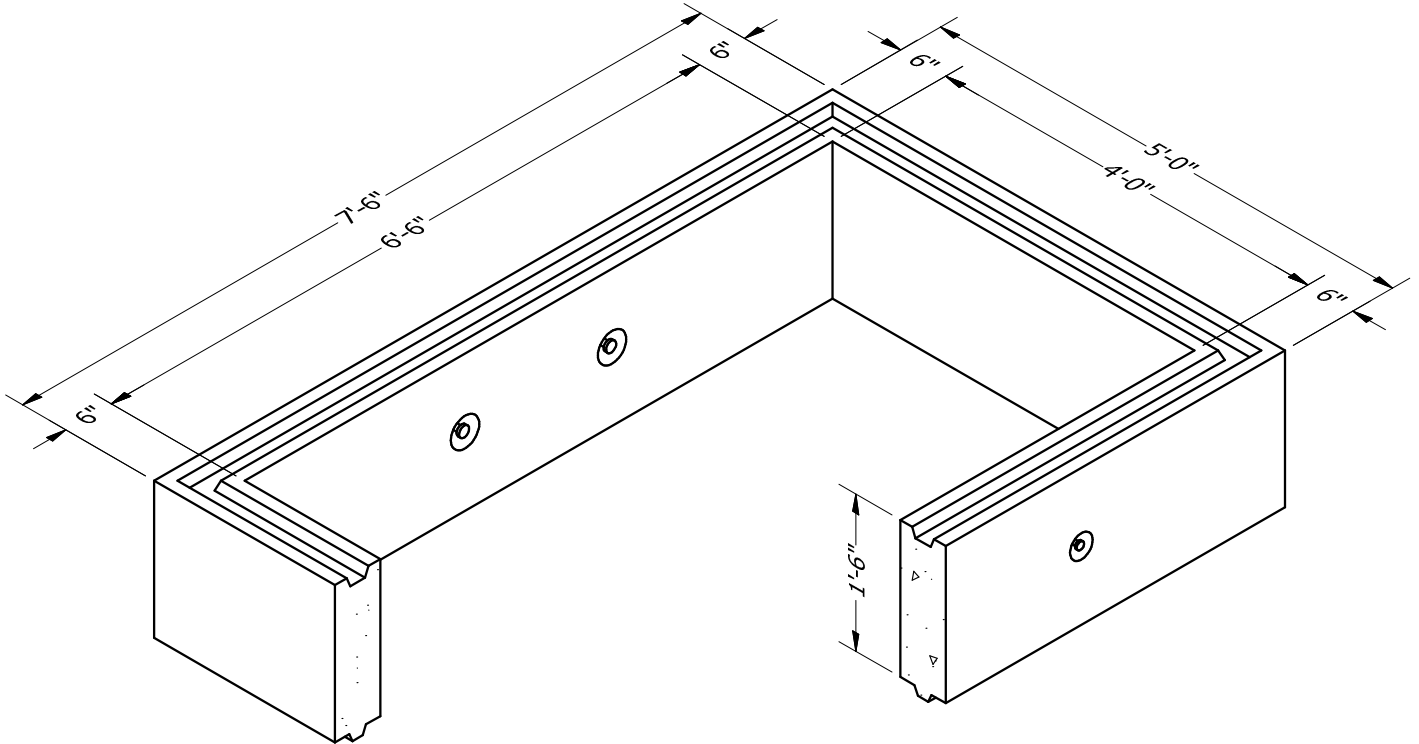


AT&T PID: 000604058



**CUSTOMER SERVICE**  
Order and delivery assistance  
(916) 386-6174  
pcservice@teichert.com

**ENGINEERING/TECHNICAL SERVICE**  
Technical assistance and on site support  
(916) 386-6177  
pcengineering@teichert.com

**WEIGHT: 2565 LBS**



**TEICHERT PRECAST PRODUCTS**  
SACRAMENTO · STOCKTON  
[WWW.TEICHERTPRECASTPRODUCTS.COM](http://WWW.TEICHERTPRECASTPRODUCTS.COM)

8180 SIGNAL COURT SACRAMENTO, CA 95824  
PHONE: (916) 386-6174 FAX: (916) 386-8823

2441 W. CHARTER WAY STOCKTON, CA 95206  
PHONE: (209) 464-7696 FAX: (209) 464-6822

4'-0" x 6'-6" x 18"  
AT&T SUB-SURFACE ENCLOSURE  
EXTENSION

|                |          |
|----------------|----------|
| ISSUE DATE:    | 1/5/2009 |
| AGENCY SERIES: | 4878-18  |
| PART #:        | 0500-E18 |

