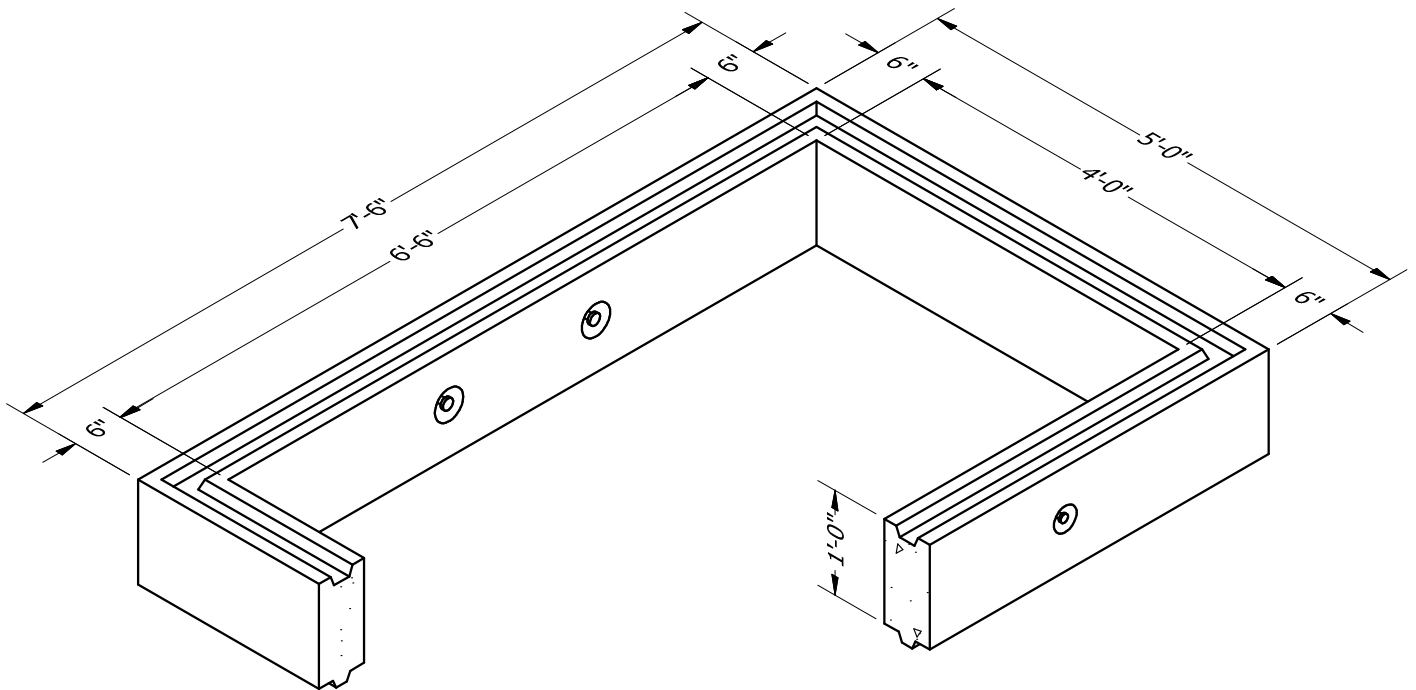


AT&T PID: 000604041



CUSTOMER SERVICE
Order and delivery assistance
(916) 386-6174
pcservice@teichert.com

ENGINEERING/TECHNICAL SERVICE
Technical assistance and on site support
(916) 386-6177
pcengineering@teichert.com

WEIGHT: 1705 LBS



TEICHERT PRECAST PRODUCTS
SACRAMENTO · STOCKTON
WWW.TEICHERTPRECASTPRODUCTS.COM

8180 SIGNAL COURT SACRAMENTO, CA 95824
PHONE: (916) 386-6174 FAX: (916) 386-8823

2441 W. CHARTER WAY STOCKTON, CA 95206
PHONE: (209) 464-7696 FAX: (209) 464-6822

4'-0" x 6'-6" x 12"
AT&T SUB-SURFACE ENCLOSURE
EXTENSION

ISSUE DATE:	1/5/2009
AGENCY SERIES:	4878-12
PART #:	0500-E12

